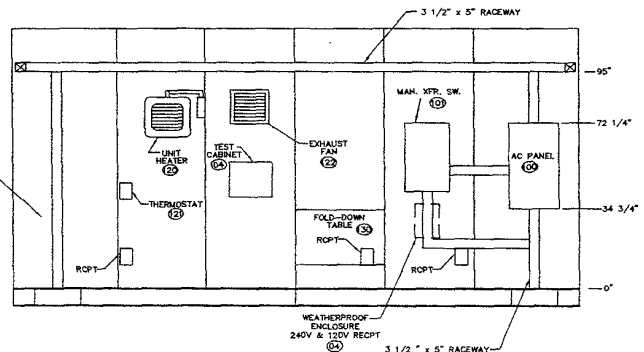
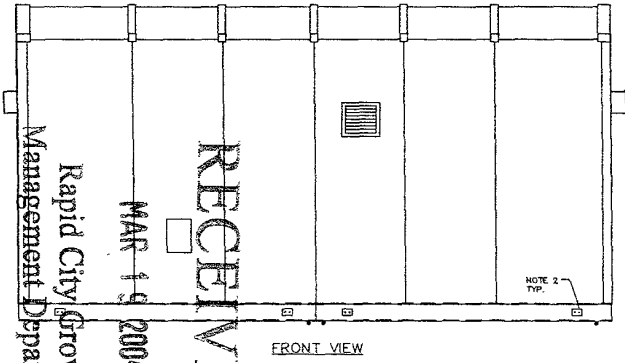
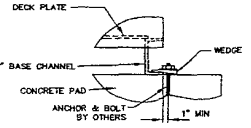
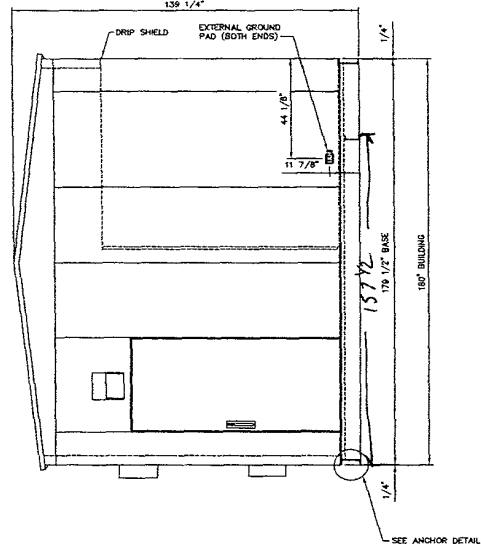
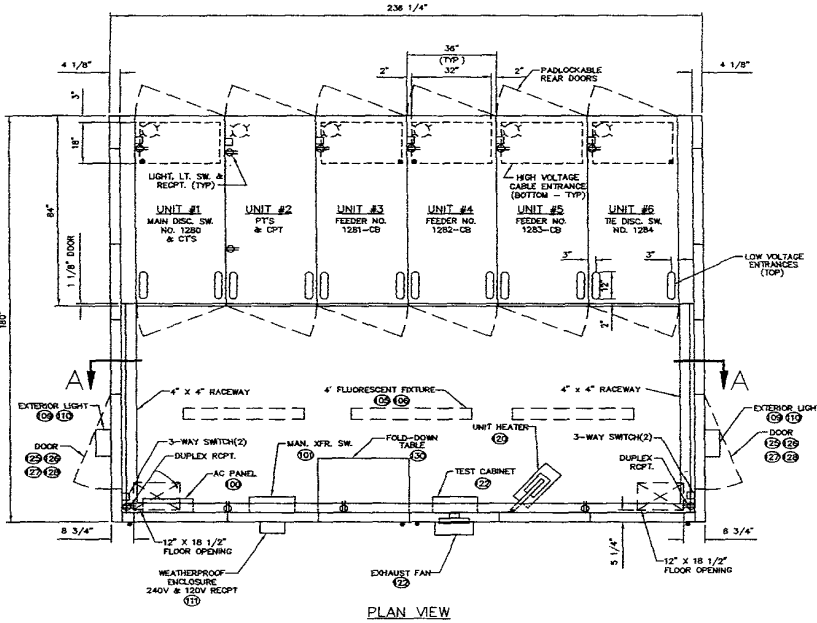


04SR017



- NOTES:
1. AISLE DOORS - SWING RADIUS 42" & 1" LATCH - PRECISION EXIT DEVICE (PANIC BAR).
 2. GROUND PLATE - 4" PER SHIPPING SECTION (2 FRONT & 2 REAR).
 3. ALL DIMENSIONS ARE IN INCHES.
 4. 2" INSULATION IN WALLS (R11) AND 2" IN ROOF (R11).
 5. ANCHORING - USE 1/2" ANCHOR BOLT & WEDGE (4 PER BASE SECTION - 2 FRONT & 2 REAR, SINK 2 1/4" MINIMUM) - ANCHORING POSITIONS.
 6. APPROXIMATE WEIGHTS: (LESS BREAKERS) - 30,000 LBS
15KV, 1200A BREAKER: 350 LBS
 7. EXTERNAL FINISH - AHS 20
INTERIOR FINISH - GLOSS WHITE

RECEIVED
MAR 19 2004
Rapid City Growth
Management Department

BLACK HILLS POWER & LIGHT
SOUTH RAPID CITY SUBSTATION
15KV OUTDOOR SWITCHGEAR

PLAN VIEW AND SIDE ELEVATIONS

DRAWING NO. 01055-01

SCALE 1/2" = 1'-0"

DRAWN D.J.A. 02/28/04

REVISIONS PER ENGINEER

PERSENER POWER PRODUCTS

1500 W. 10th Street, Rapid City, SD 57701

PERSENER POWER PRODUCTS

PERSENER POWER PRODUCTS