

04PD008

SMOOTH CUT
ENDS OF PIPE

CONCRETE, STEEL
TROWEL FINISH

6" DIA. - 1/4" STEEL PIPE M6
FILL WITH CONCRETE AS SHOWN
(ASTM A120 STEEL PIPE, SCHEDULE 40)

PRIMER & PAINT YELLOW

* PROVIDE EXPANSION JOINT MATERIAL
WHEN ABUTTING P.C.C. PAVING

3'-0"

FINISHED GRADE

RECEIVED

FEB 24 2004

Rapid City Growth
Management Department

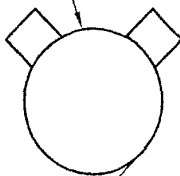
A.C.C.

*P.C.C.

POST TO BE SET IN M-6
CONCRETE AS SHOWN

4'-0"

FIRE HYDRANT



3'-0" CLEAR



BOLLARD

3" MIN.
COVER

CITY OF RAPID CITY

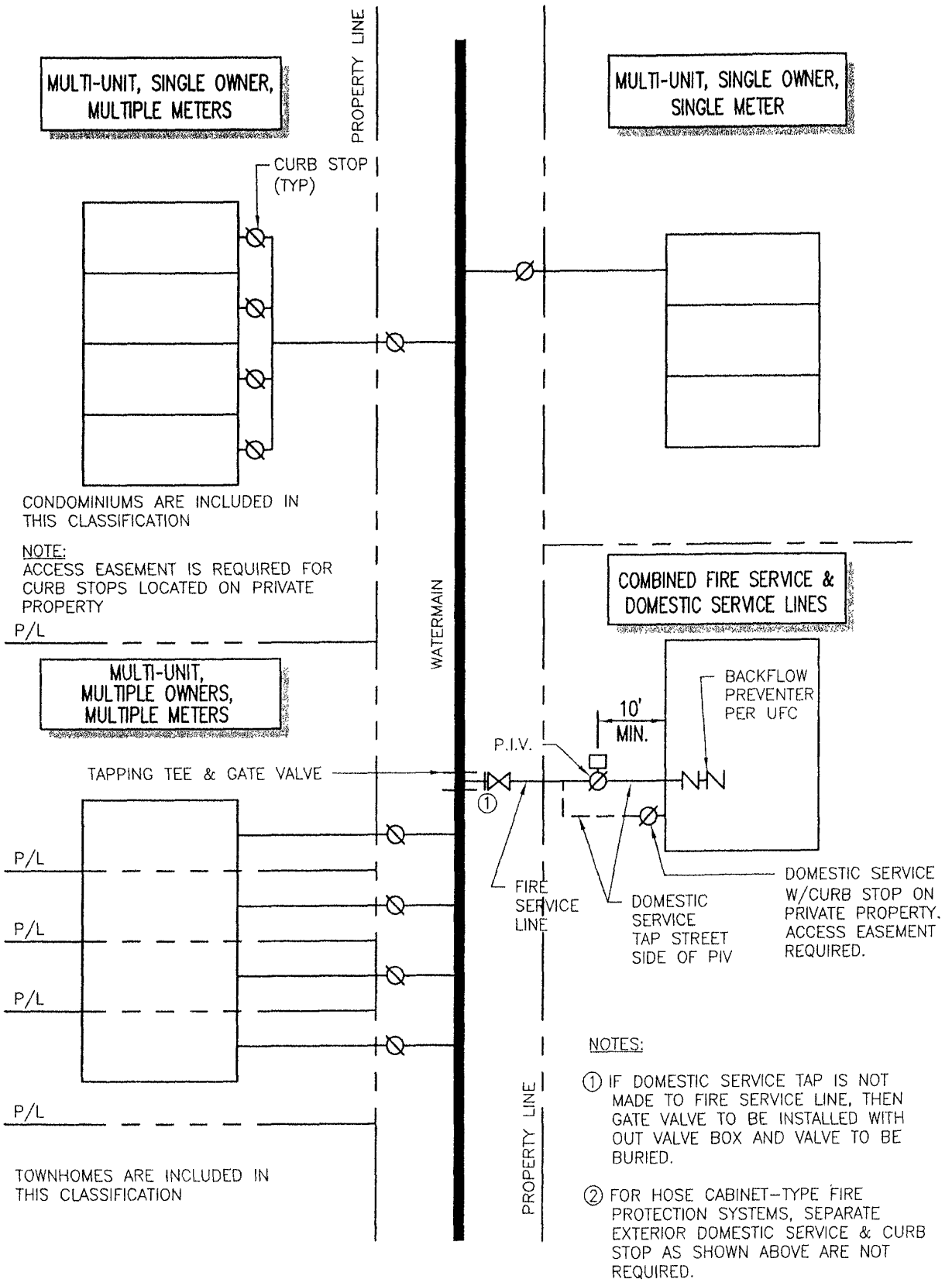
PUBLIC WORKS DEPARTMENT

FIRE HYDRANT PROTECTION
BOLLARD DETAIL

DATE: 11-15-02

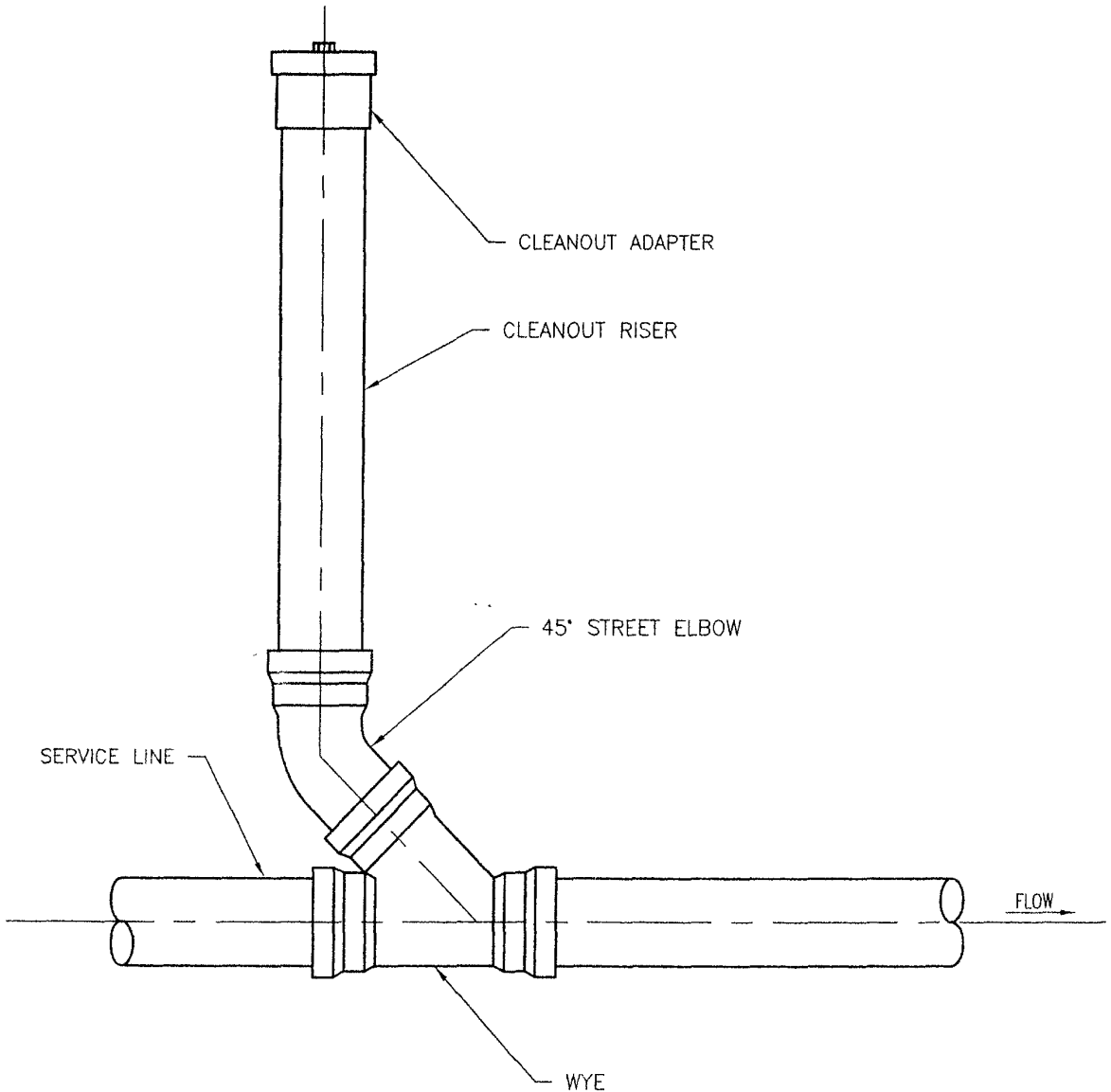
SEC. SHT.

8-2



NOTES:

- ① IF DOMESTIC SERVICE TAP IS NOT MADE TO FIRE SERVICE LINE, THEN GATE VALVE TO BE INSTALLED WITH OUT VALVE BOX AND VALVE TO BE BURIED.
- ② FOR HOSE CABINET-TYPE FIRE PROTECTION SYSTEMS, SEPARATE EXTERIOR DOMESTIC SERVICE & CURB STOP AS SHOWN ABOVE ARE NOT REQUIRED.



ELEVATION

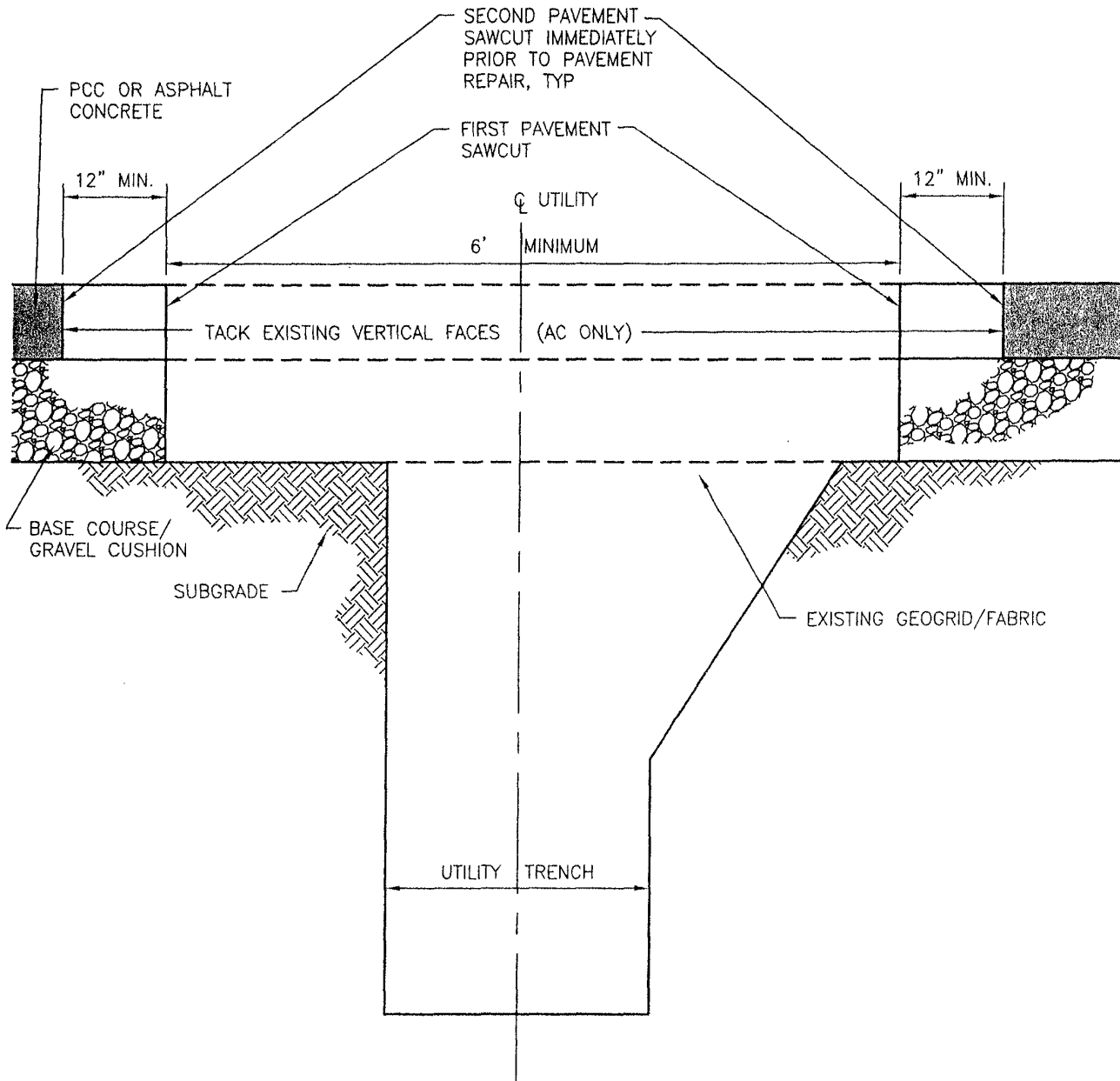
RECEIVED

FEB 24 2004

Rapid City Growth
Management Department

NOTES:

- 1. ALL FITTINGS SHALL BE GASKETED.
- 2. CLEANOUTS TO BE SAME DIAMETER AS SERVICE LINE.



NOTES:

1. ALL SAWCUTS TO BE FULL DEPTH.
2. BASE COURSE & AC THICKNESS TO MATCH EXISTING BUT IN NO CASE WILL BE LESS THAN 6" BASE & 5" AC.

RECEIVED

FEB 24 2004

Rapid City Growth
Management Department