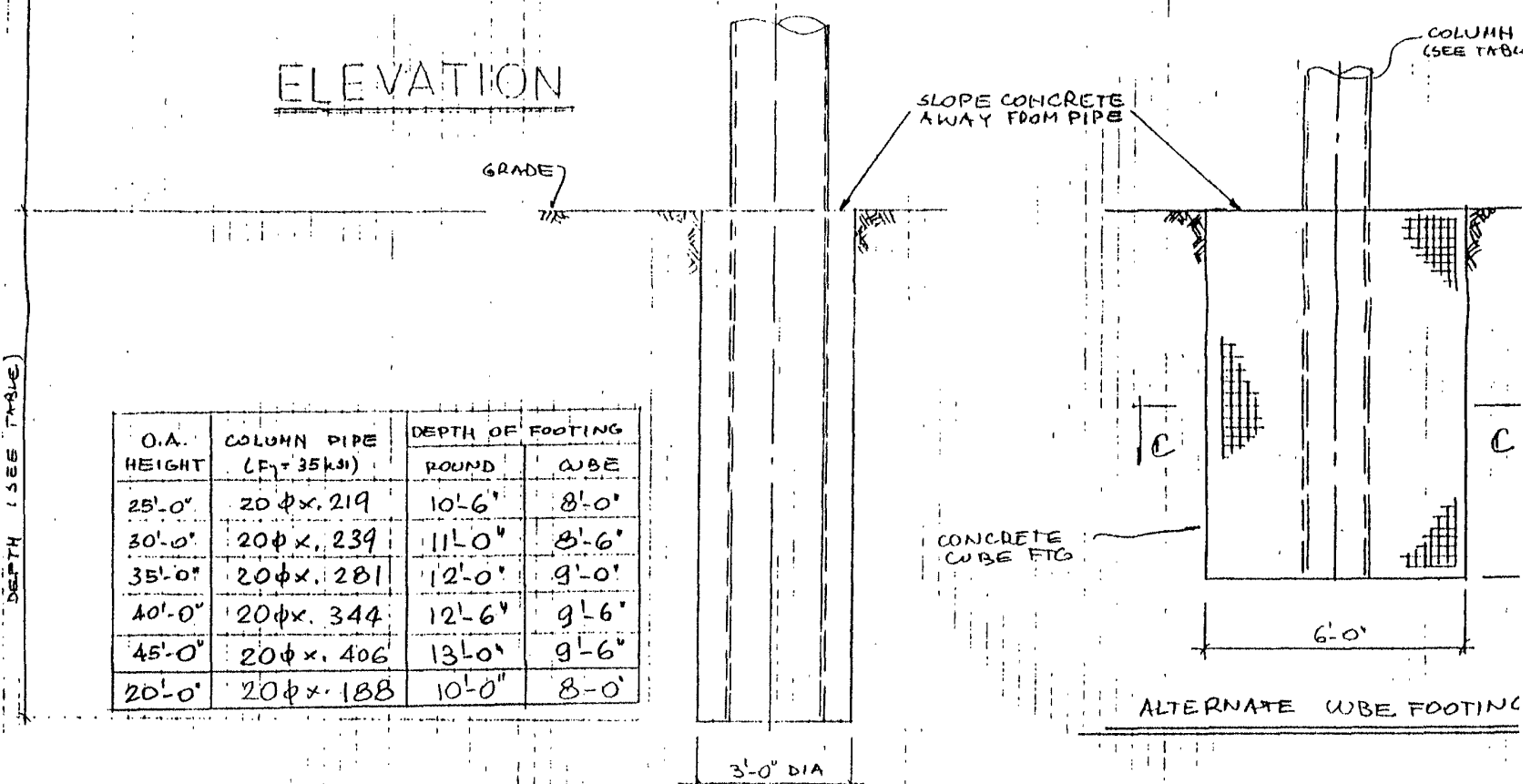
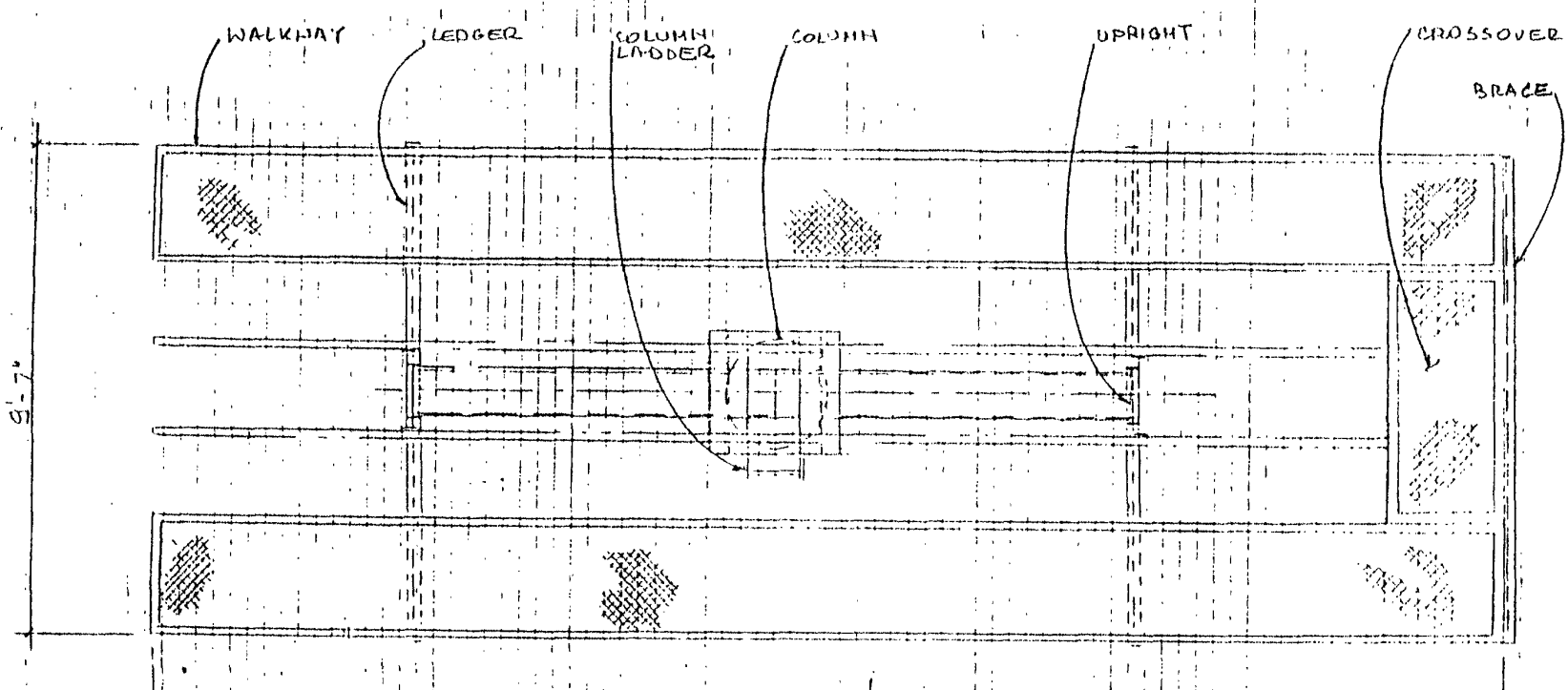
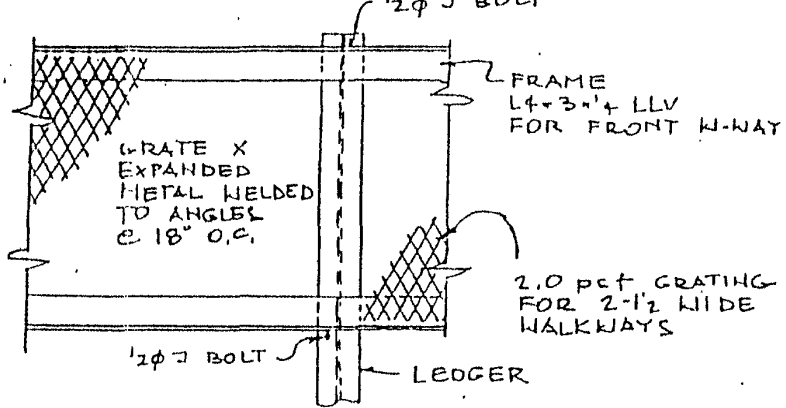


ELEVATION

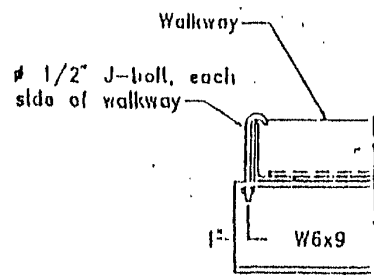


O.A. HEIGHT	COLUMN PIPE (F _y = 35 ksi)	DEPTH OF FOOTING	
		ROUND	WBE
25'-0"	20φ x 219	10'-6"	8'-0"
30'-0"	20φ x 239	11'-0"	8'-6"
35'-0"	20φ x 281	12'-0"	9'-0"
40'-0"	20φ x 344	12'-6"	9'-6"
45'-0"	20φ x 406	13'-0"	9'-6"
20'-0"	20φ x 188	10'-0"	8'-0"

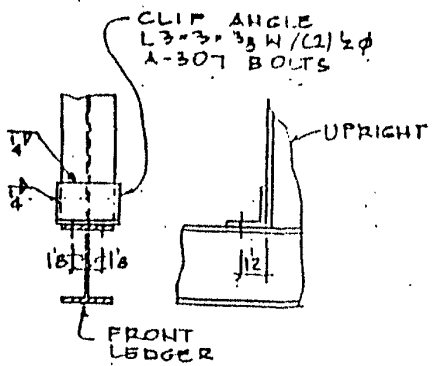




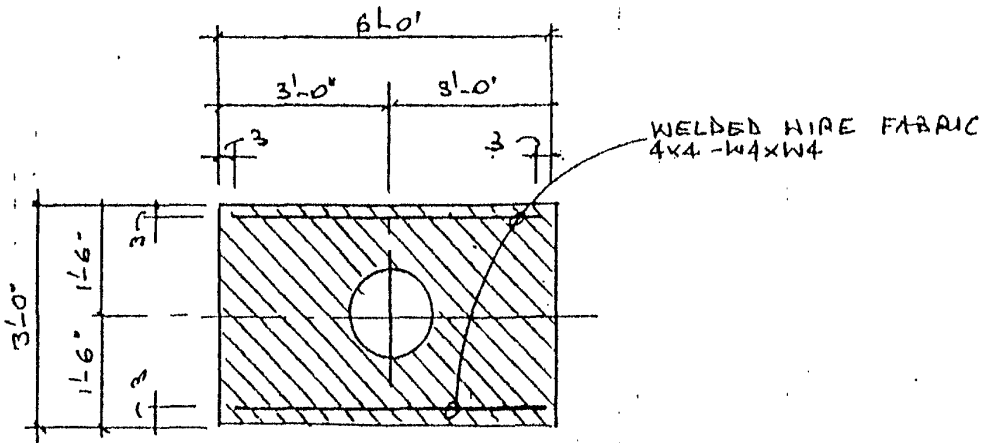
TYPICAL WALKWAY DETAIL



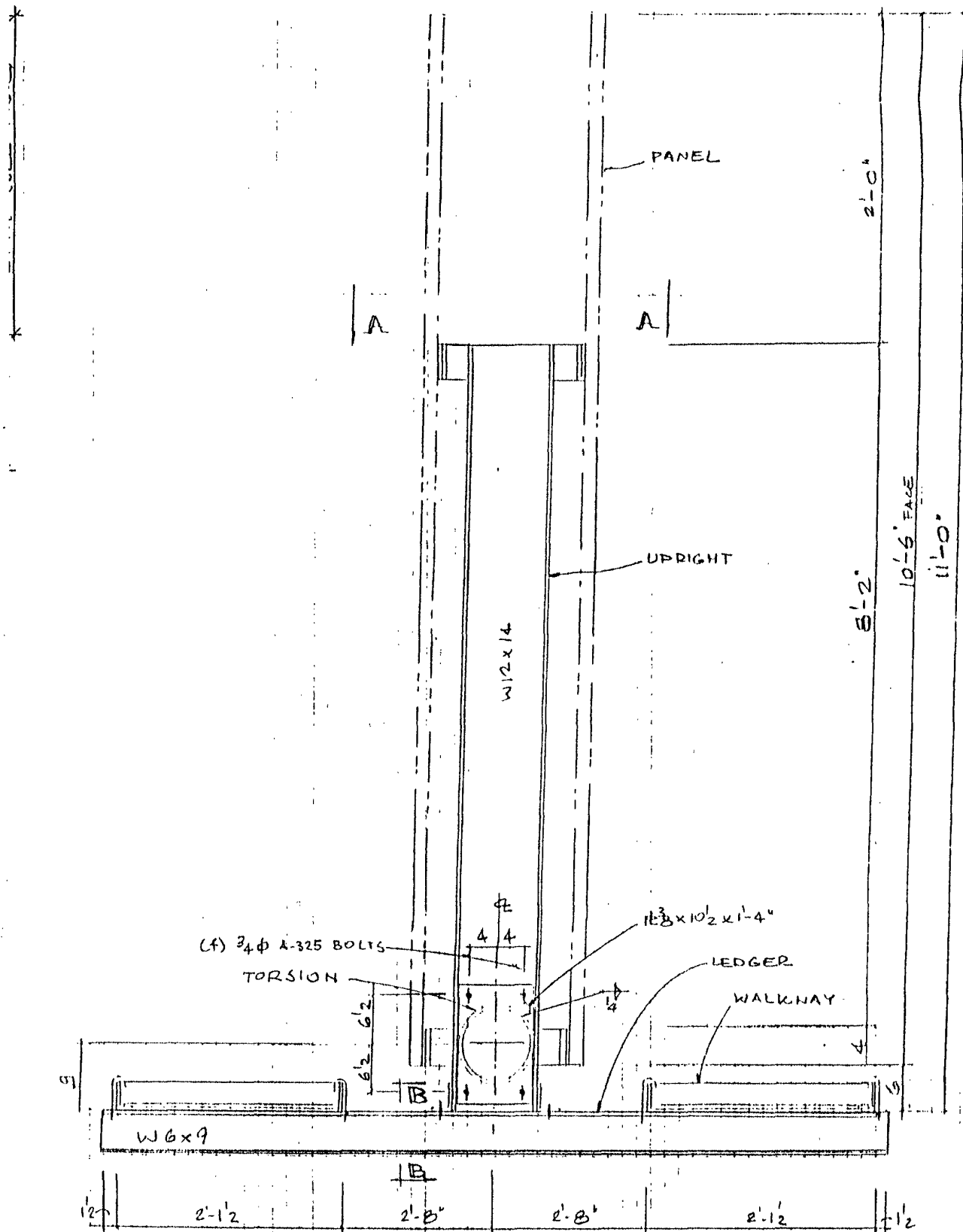
WALKWAY-LEDGER CONNECTION



SECTION B-B



SECTION C-C



TYPICAL SECTION THRU SIGN

UNLESS OTHERWISE SPECIFIED, ALL DIMENSIONS ARE IN FEET AND INCHES. DIMENSIONS IN PARENTHESES ARE FOR INFORMATION ONLY.