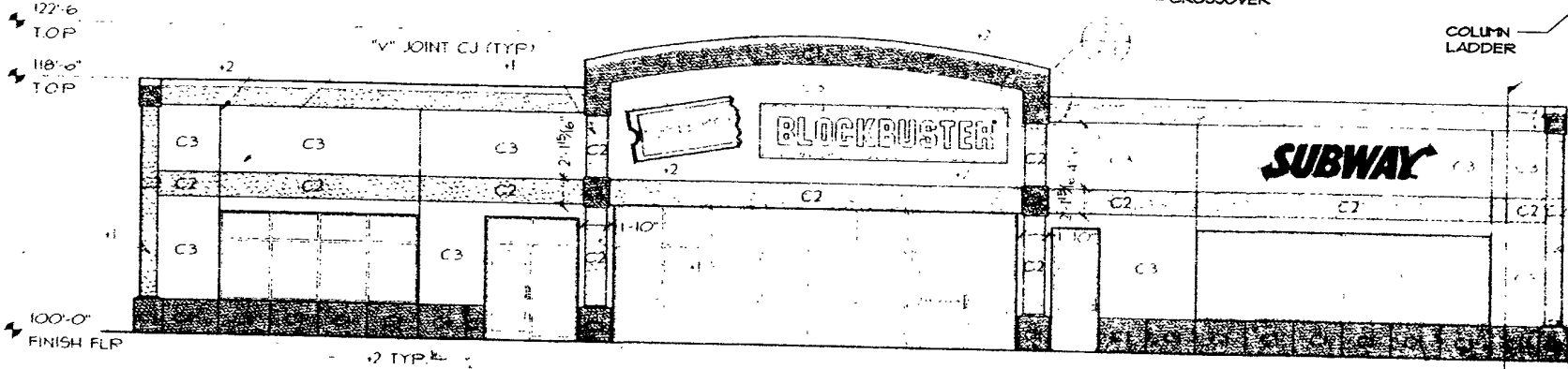
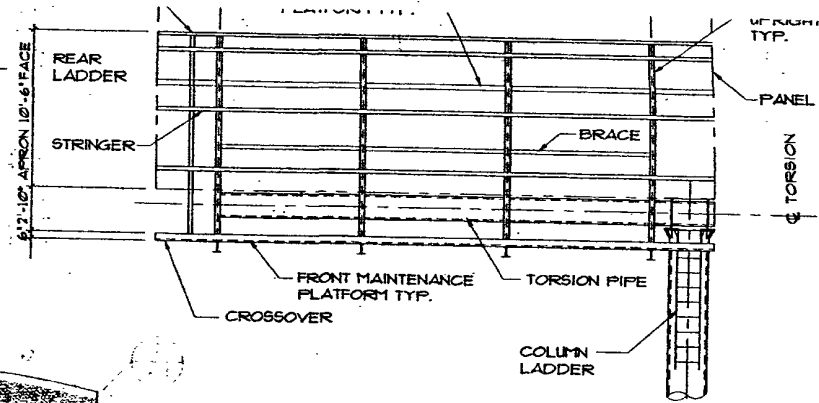
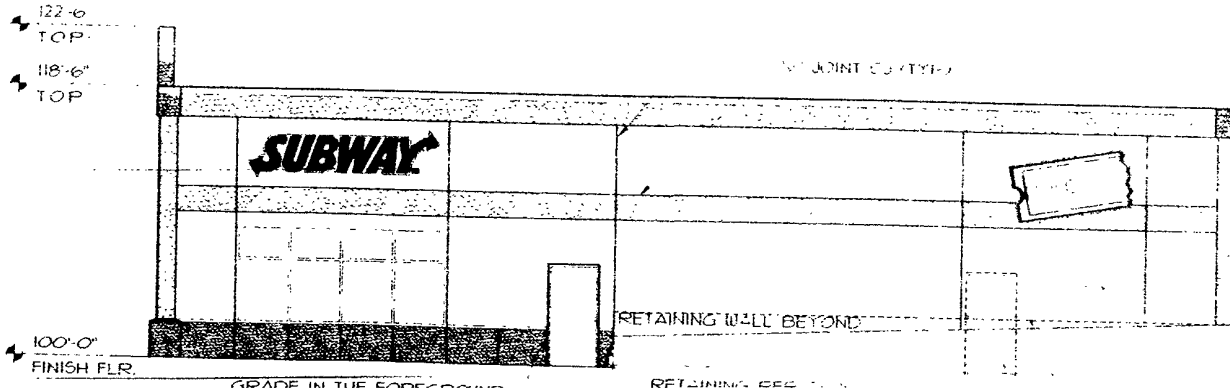


**2 BUILDING SECTION**  
 SCALE: 1/8"=1'-0"



**5 SOUTH ELEVATION**  
 SCALE: 1/8"=1'-0"



ELE. S. SCHEDULE (SEE TABLE)

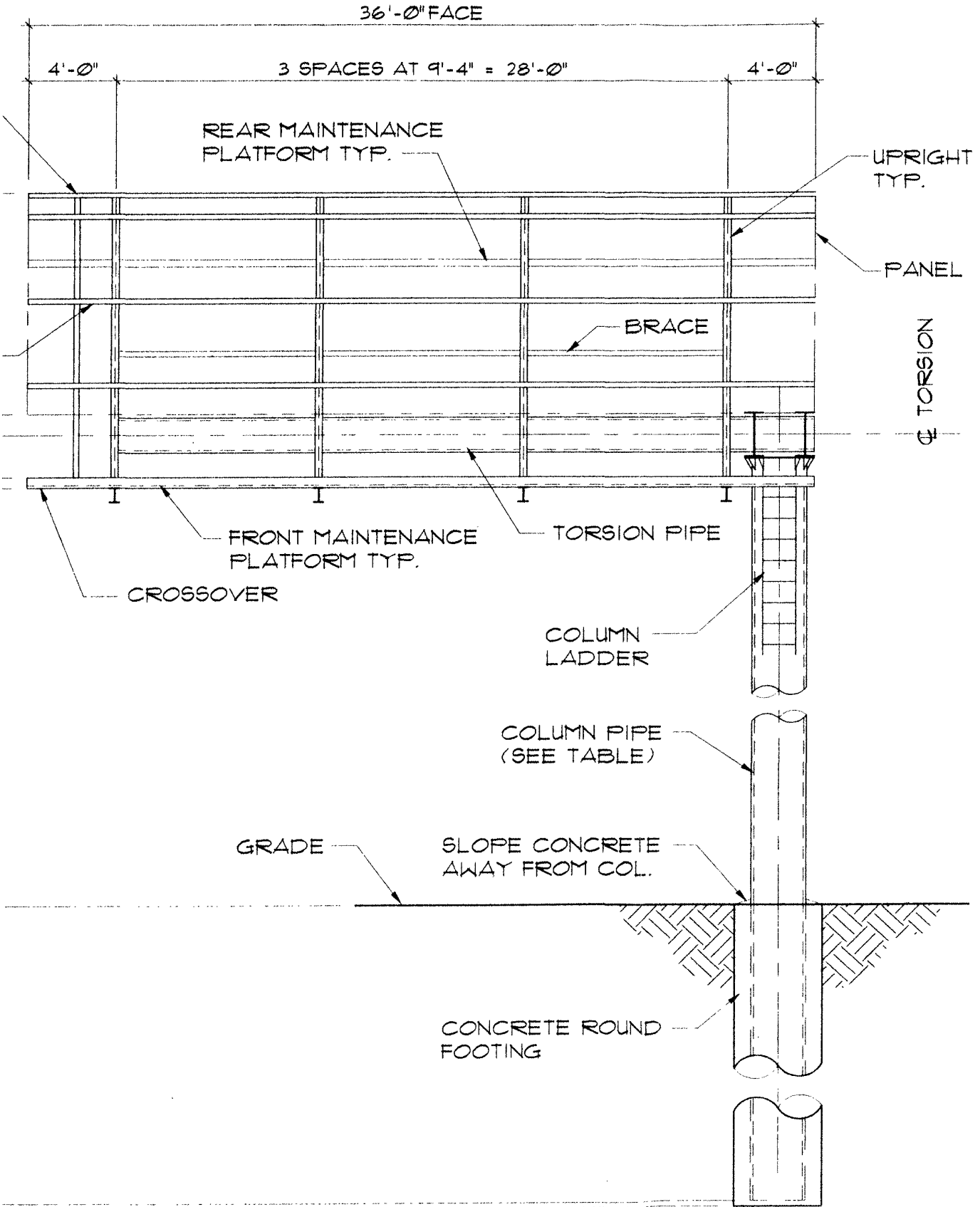
- C1 = STD #1000 1EF
- C2 = STD # 1015 110
- C3 = STD # 10905 C

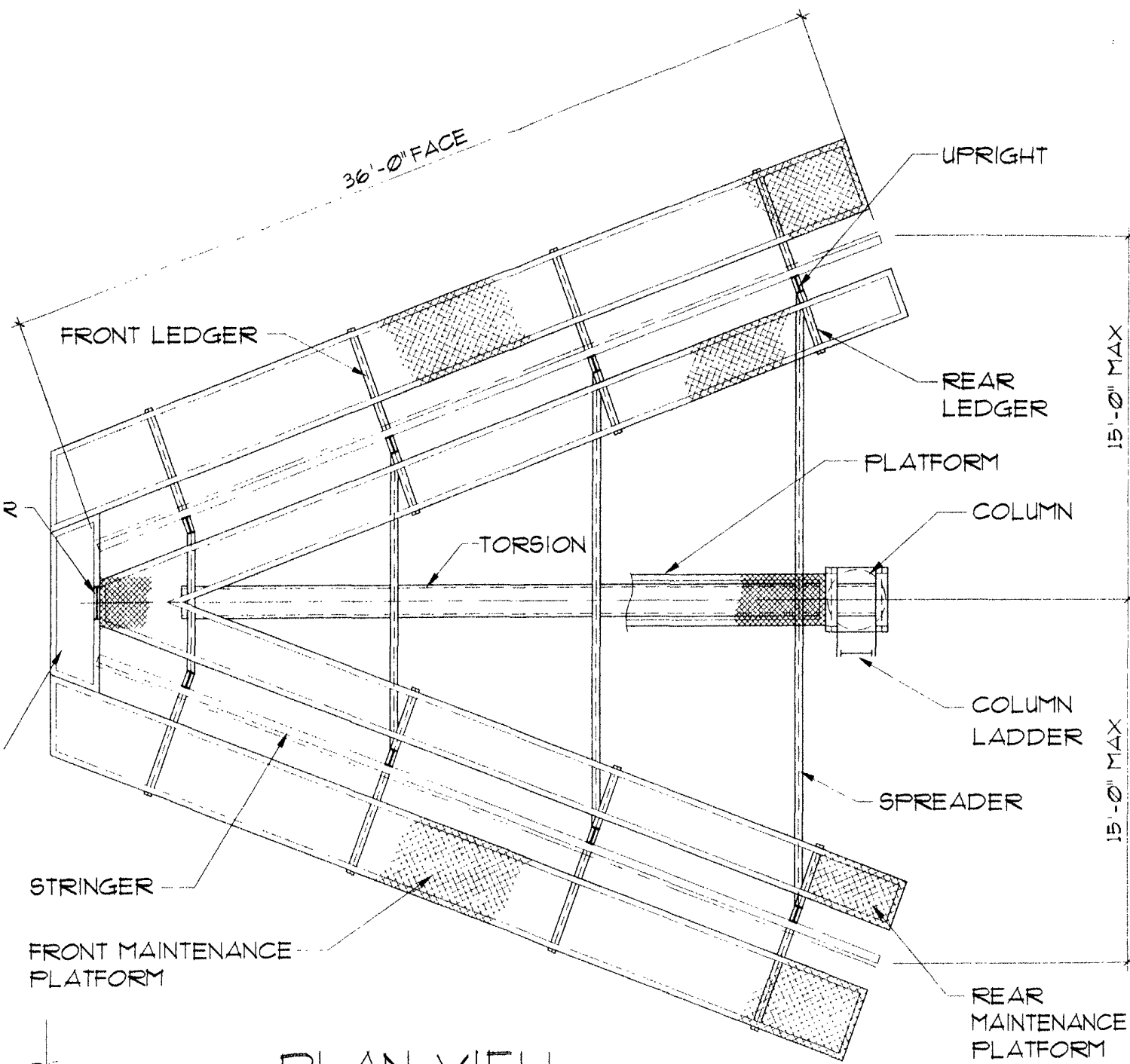
THIS DESIGN IS ADEQUATE  
FOR ALL PARTIAL FLAG  
CONDITIONS.

TO SUIT THE INDIVIDUAL  
LOCATION, THIS STRUCTURE  
MAY BE ORDERED WITH THE  
COLUMN ORIENTED TOWARDS  
EITHER END OF "Y"

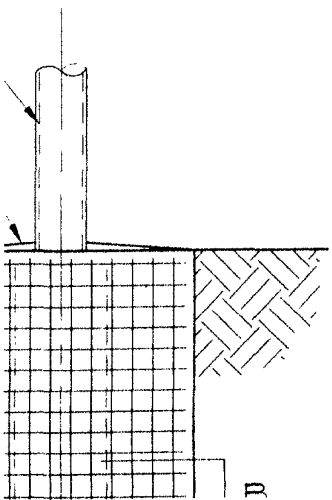
THIS PRINT IS THE PROPERTY OF  
METAL-WELD SPECIALTIES, INC.  
IT HAS BEEN PROVIDED FOR  
PERMIT PURPOSE ONLY.  
PROFESSIONAL SEAL VALID  
ONLY WHEN FABRICATED BY  
METAL-WELD SPECIALTIES, INC.  
ANY OTHER USE OR  
REPRODUCTION IS PROHIBITED  
WITHOUT WRITTEN CONSENT FROM  
METAL-WELD SPECIALTIES, INC.

H.A.G.L.	COLUMN PIPE SIZE (35 ksi)	FOOTING SIZE							
		ROUND		CUBE FOR B/B			CUBE FOR V-BUILD		
		DIA.	DEPTH	(L)	(W)	DEPTH	(L)	(W)	DEPTH
5'-0"	30φ x .250 36φ x .250	4'-0"	13'-0"	8'-0"	4'-0"	9'-0"	7'-0"	7'-0"	9'-0"
10'-0"	30φ x .281 36φ x .250	4'-0"	13'-6"	8'-0"	4'-0"	9'-0"	7'-0"	7'-0"	9'-6"
15'-0"	30φ x .312 36φ x .281	4'-0"	14'-0"	8'-0"	4'-0"	9'-6"	7'-0"	7'-0"	9'-6"
20'-0"	30φ x .344 36φ x .281	4'-0"	14'-6"	8'-0"	4'-0"	10'-0"	7'-0"	7'-0"	10'-0"
25'-0"	30φ x .344 36φ x .312	4'-0"	15'-6"	8'-0"	4'-0"	10'-6"	7'-0"	7'-0"	10'-6"
30'-0"	30φ x .375 36φ x .312	4'-0"	16'-0"	8'-0"	4'-0"	11'-0"	7'-0"	7'-0"	10'-6"
35'-0"	30φ x .406 36φ x .344	4'-0"	17'-0"	8'-0"	4'-0"	11'-6"	7'-0"	7'-0"	11'-0"
40'-0"	30φ x .438 36φ x .375	4'-0"	17'-6"	8'-0"	4'-0"	11'-6"	7'-0"	7'-0"	11'-0"
45'-0"	30φ x .469 36φ x .375	4'-0"	18'-0"	8'-0"	4'-0"	12'-0"	7'-0"	7'-0"	11'-6"
50'-0"	30φ x .500 36φ x .375	4'-0"	19'-0"	8'-0"	4'-0"	12'-6"	7'-0"	7'-0"	12'-0"
55'-0"	30φ x .562 36φ x .375	4'-0"	19'-6"	8'-0"	4'-0"	13'-0"	7'-0"	7'-0"	12'-6"
60'-0"	30φ x .625 36φ x .406	4'-0"	20'-0"	8'-0"	4'-0"	13'-6"	7'-0"	7'-0"	12'-6"





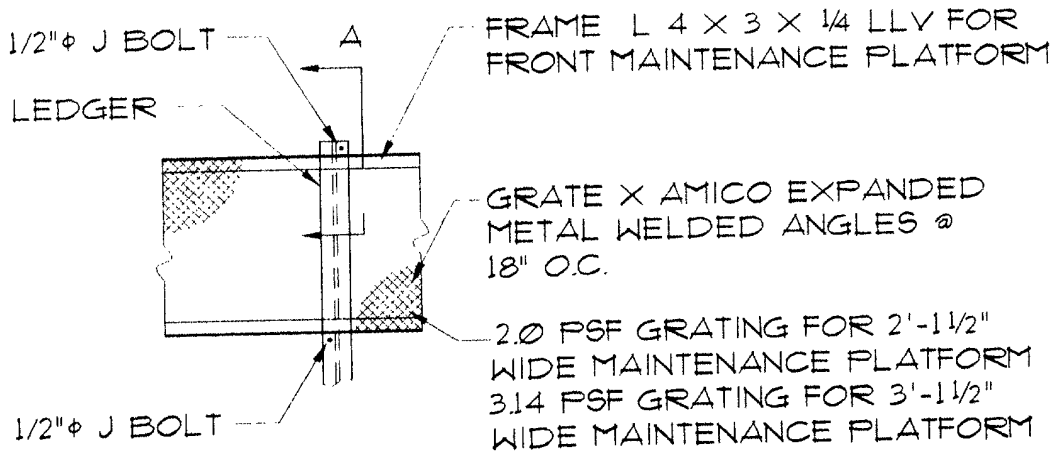
PLAN VIEW  
V-BUILD



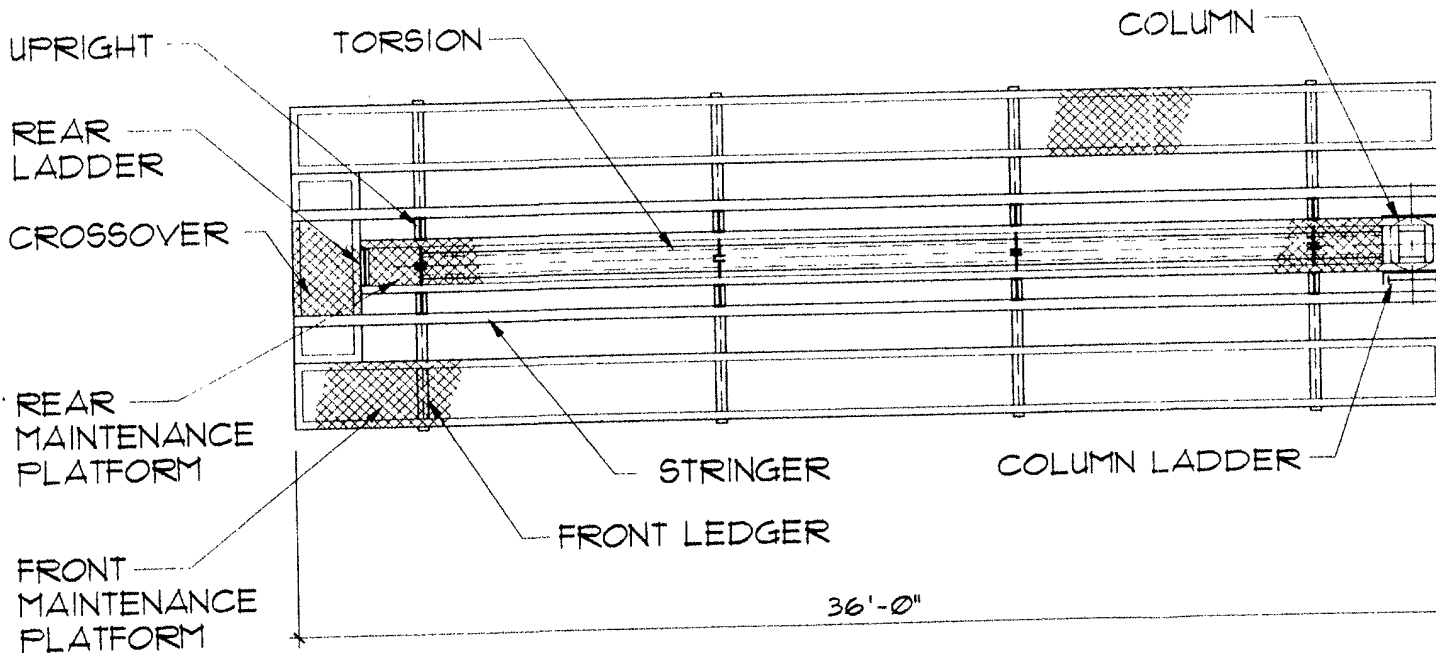
1/2"φ J BOLT EACH SIDE  
OF PLATFORM

MAINTENANCE  
PLATFORM  
FRAME

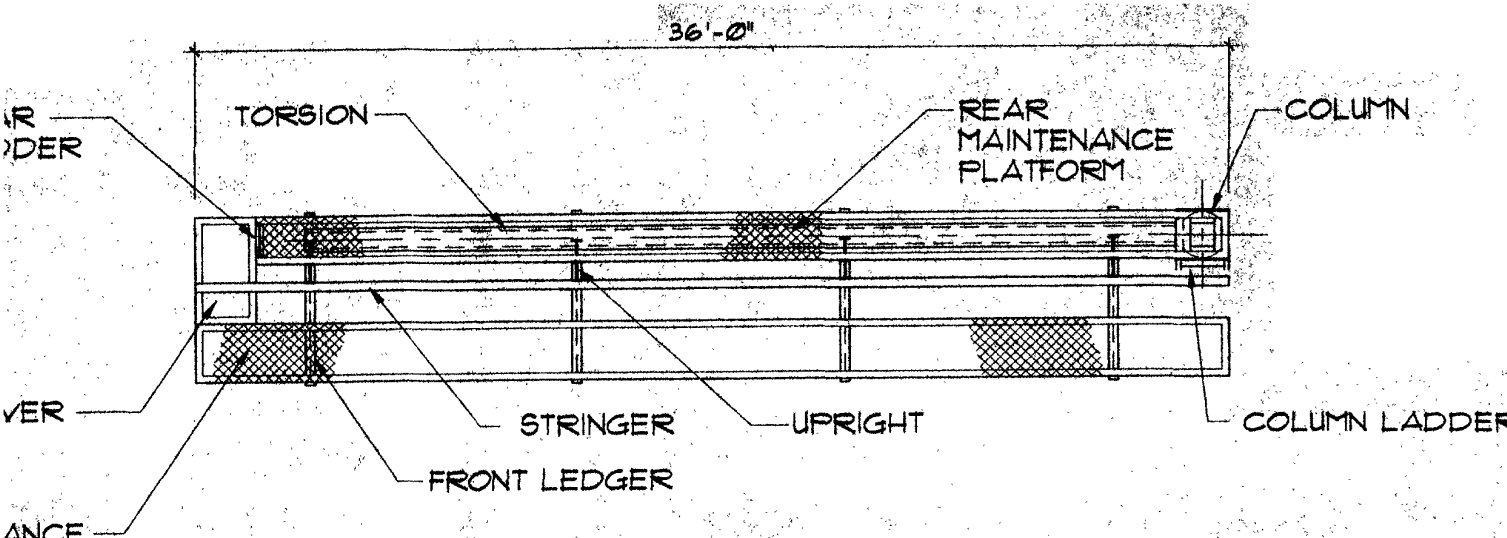
# ELEVATION



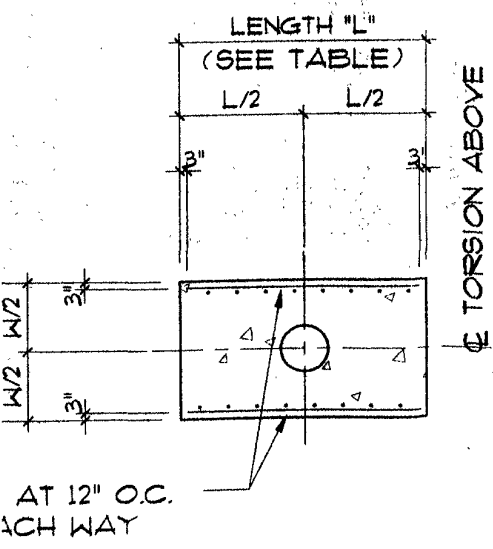
# TYPICAL WALKWAY DETAIL



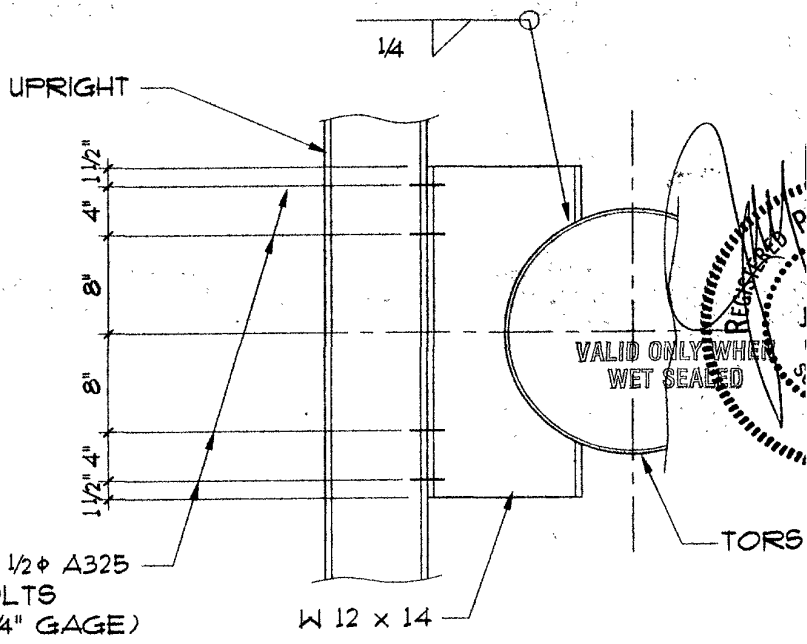
# PLAN VIEW BACK TO BACK



PLAN VIEW  
SINGLE FACE



SECTION B



TORSION TO UPRIGHT CONNECTION  
SINGLE FACE & BACK TO BACK