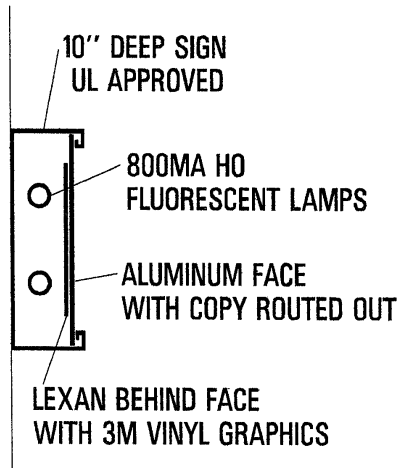


01PD064



School of Medicine

2'-6" X 15' SIGN
EAST ELEVATION



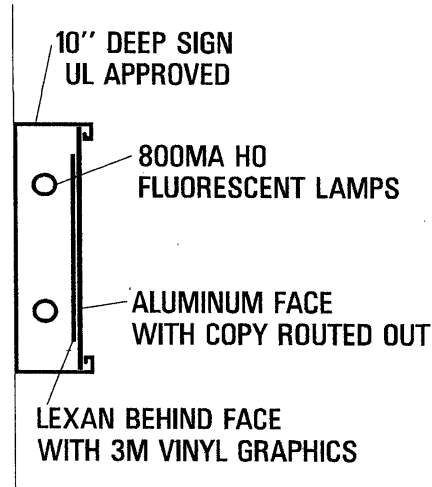
SIDE VIEW

01PD064



University Physicians

3' X 20' SIGN
SOUTH ELEVATION

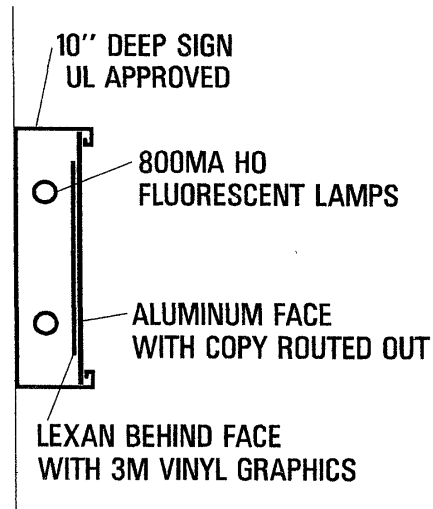


SIDE VIEW

01PD064



3' X 20' SIGN
NORTH ELEVATION

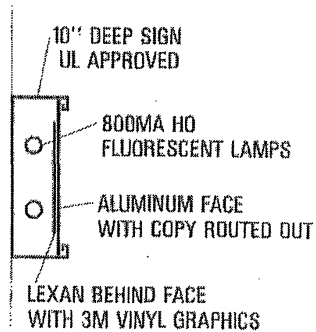


SIDE VIEW

01PD064

Medical Physicians

2'-6" X 15' SIGN
EAST ELEVATION

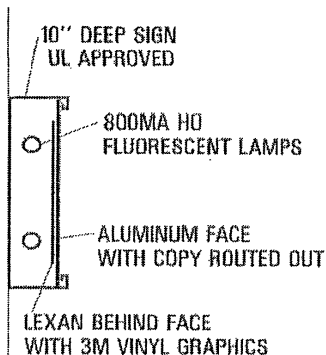


SIDE VIEW

01PD064

Medical Physicians

3' X 20' SIGN
SOUTH ELEVATION

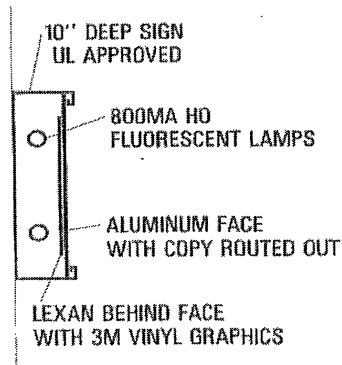


SIDE VIEW

01PD064

Medical Physicians

3' X 20' SIGN
NORTH ELEVATION

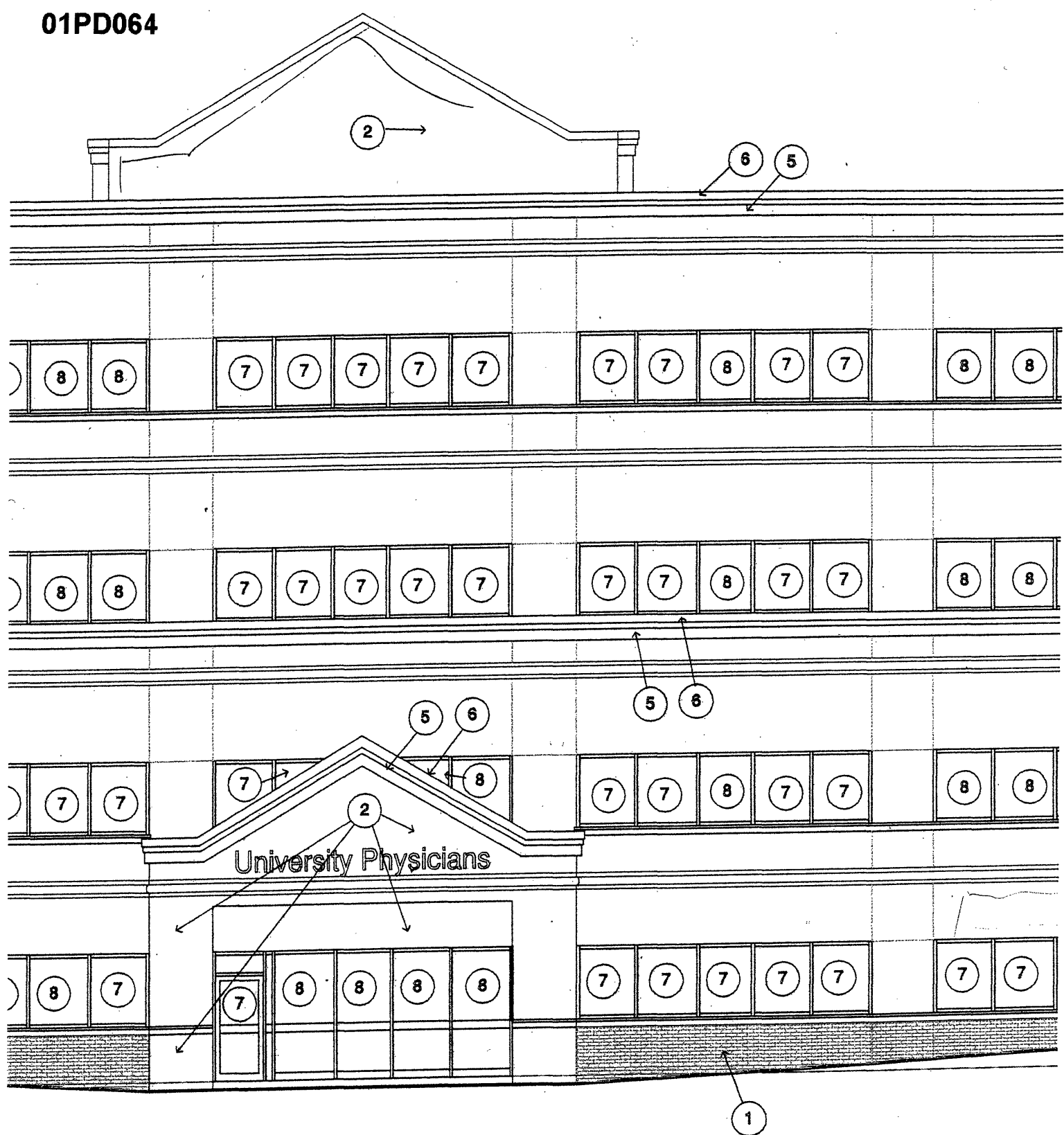


SIDE VIEW



West Elevation

original signage



East Elevation

Scale 1/8"=1'-0"

original signage