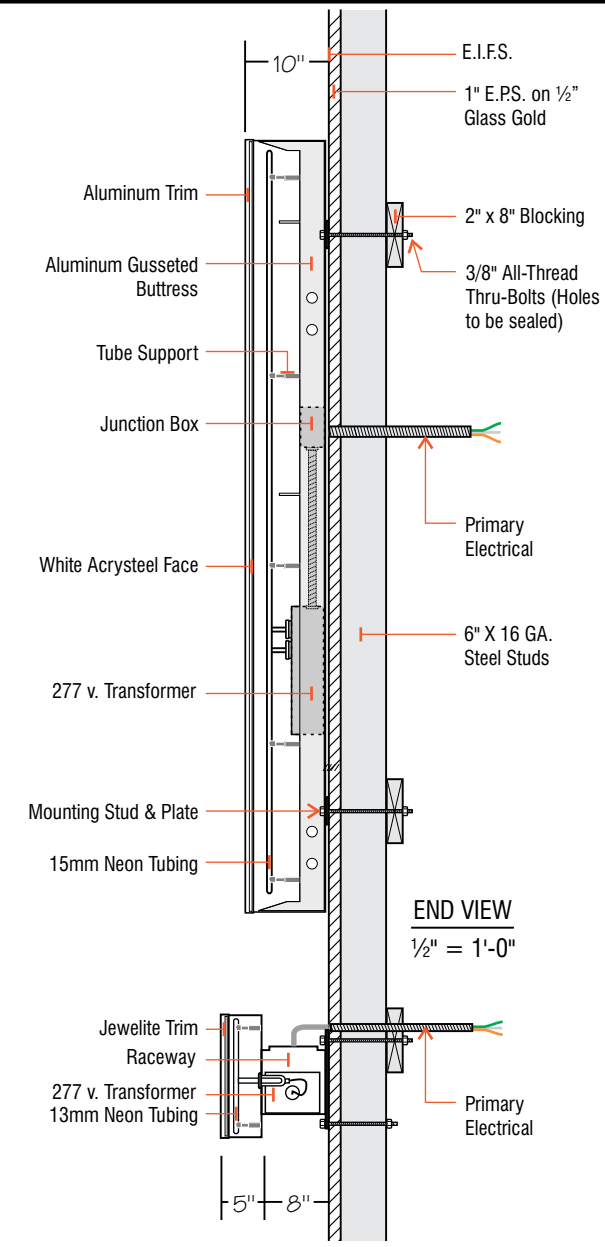
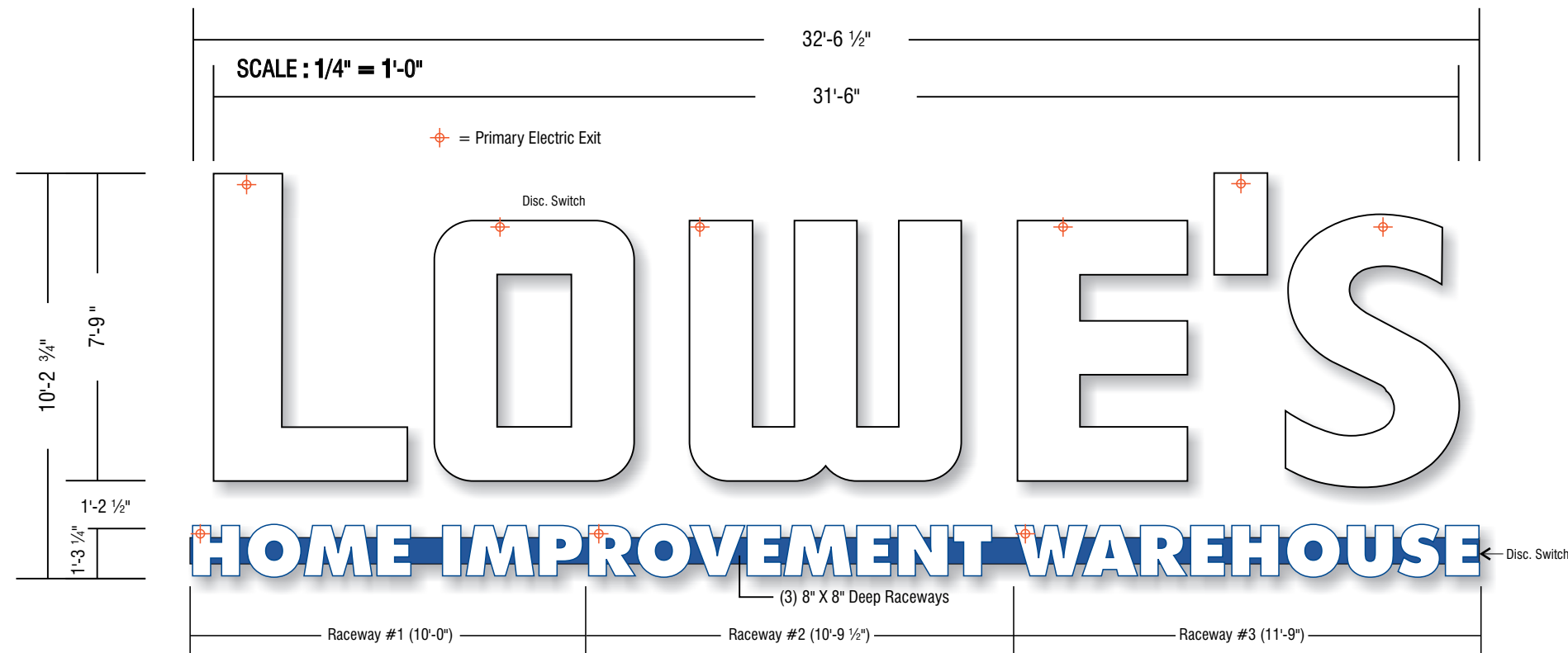


Std. 7'-9" / 1'-3 1/4" Set (w/ Raceway)



(1) SET 7'-9" / 6'-6" (**LOWE'S**) INDIVIDUALLY ILLUMINATED LETTERS FABRICATED OF WELDED ALUMINUM (10" DEEP, .125 BACKS, .080 RETURNS). LETTERS TO CONTAIN BUTRESSED ALUMINUM GUSSETS TO STIFFEN THE LETTER FORM & SUPPORT NEON TUBE. LETTERS FINISHED IN WHITE ENAMEL. FACES OF 3/16" WHITE ACRYSTEEL W/ FACE ALUMINUM TRIM TO MATCH RETURNS. INTERIORS TO HAVE REFLECTIVE COATING FOR MAXIMUM ILLUMINATION.

INTERNAL ILLUMINATION BY MULTIPLE ROWS OF 6500 15mm WHITE NEON TUBING W/ ELECTRODES INTO GLASS HOUSINGS (NO DOUBLE BACKS). NEON POWERED BY FRANCEFORMER 60mA TRANSFORMERS. SERVICE PROVISIONS & DISC. SWITCHES INSTALLED INTO EACH LETTER. (277v). ALL WIRING UL APPROVED.

(1) SET 1'-3 1/4" (**HOME IMPROVEMENT WAREHOUSE**) INDIVIDUALLY LIGHTED LETTERS FABRICATED OF ALUMINUM (.080 BACKS, .063 RETURNS, 5" DEEP). LETTERS FINISHED IN ACRYLIC URETHANE ENAMEL TO MATCH LOWE'S BLUE.

INTERNAL ILLUMINATION BY 13mm WHITE NEON TUBING W/ ELECTRODES INTO GLASS HOUSINGS. TRANSFORMERS (60mA) & WIRING LOCATED IN ALUMINUM RACEWAY (FINISHED TO MATCH FASCIA). ALL WIRING UL APPROVED.

LETTERS & RACEWAYS MOUNTED FLUSH ONTO FASCIA VIA NON-CORROSIVE FASTENERS, FLAT-BAR TABS & 3/8" NON-CORROSIVE STEEL ROD.



NOTE: ALL SIGNAGE IN ACCORDANCE WITH U.L. 2161



HARLAN LAWS CORPORATION

Signs of Success

304 Muldee Street
Durham, N.C.
27703
(919) 596-2124
FAX
(919) 596-0421
harlanlaws.com

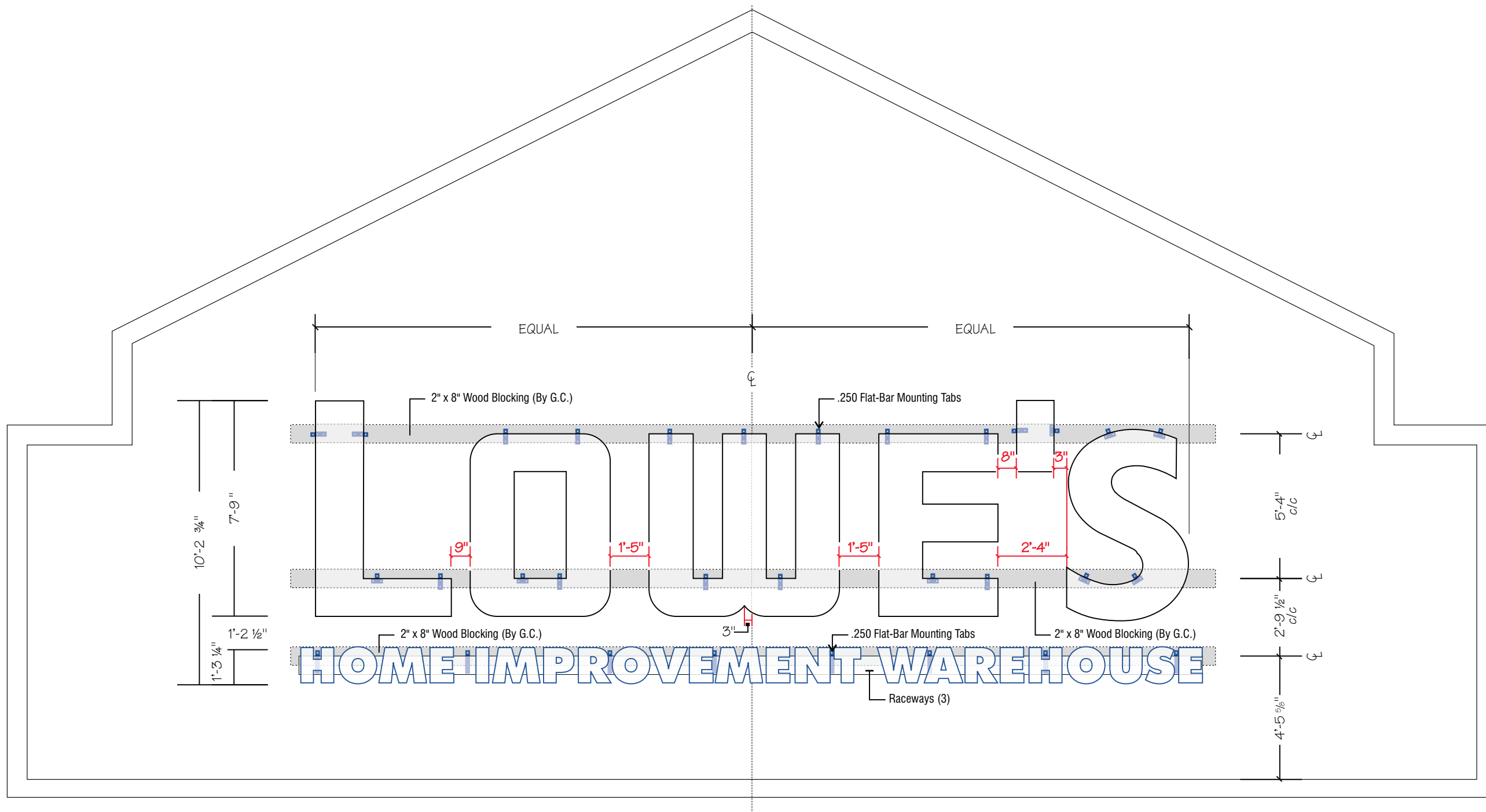
This design is the property of Harlan Laws Corporation and cannot be used or distributed without the approval of said company

Phase:

- Conceptual
- Design Development
- Final Production

DRWG.# : M718500
DATE : 29 Dec 00
REV. DATE :
LOCATION : Various
FILE : 7ft9 Set w
JOB # :
DRAWN BY : BAINE
SCALE: As Noted

Std. 7'-9" / 1'-3 1/4" Set (w/ Raceway)



Installation Detail



HARLAN LAWS CORPORATION

Signs of Success

304 Muldee Street
 Durham, N.C.
 27703
 (919) 596-2124
 FAX
 (919) 596-0421
 harlanlaws.com

This design is the property of Harlan Laws Corporation and cannot be used or distributed without the approval of said company

Phase:

- Conceptual
- Design Development
- Final Production

DRWG.# : M718600
 DATE : 29 Dec 00
 REV. DATE :
 LOCATION : Various
 FILE : 7ft9 Set w
 JOB # :
 DRAWN BY : BAINE
 SCALE: As Noted