

LOWE'S Standard Pole Sign

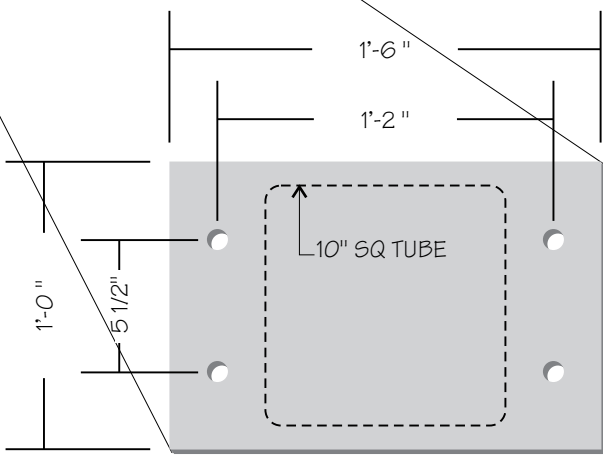
(1) 6'-4" x 20'-0" Double face internally illuminated sign cabinet of aluminum extrusion w/ 2 1/4" hinged face retainers. Cabinet finished in acrylic urethane enamel to match Pantone 430 gray.

Faces of FlexFace material w/ color applied via heat transfer process; 2114 blue field, white copy & 2550 red stripe. Faces treated w/ Super Glasskote finish.

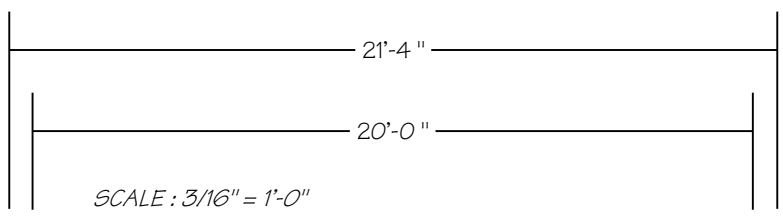
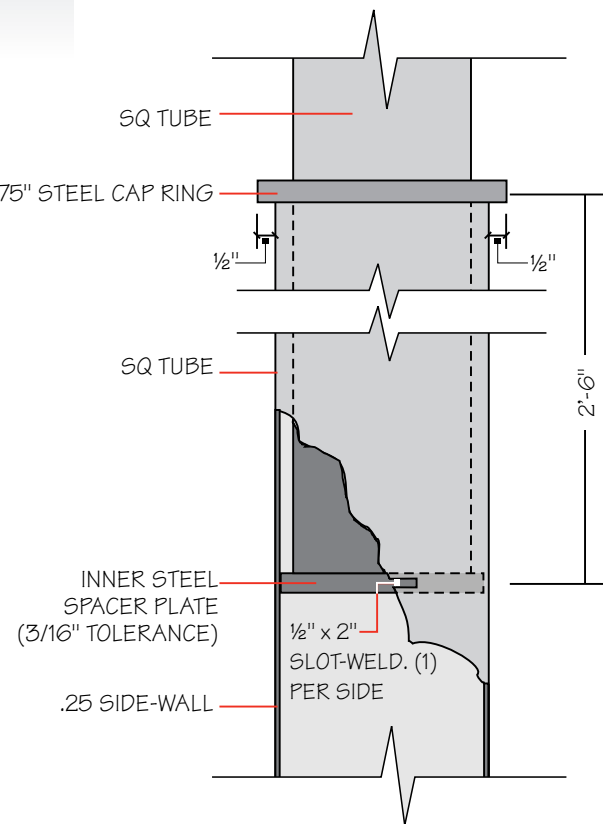
Internal illumination by horizontal fluorescent lamps powered by low-temperature ballasts. All wiring UL approved.

(1) 3'-9" x 21'-4" Decor roof fabricated of aluminum & (internal) steel. Roof finished in acrylic urethane enamel to match Pantone 430 gray & 280 blue. Roof to have 13mm red neon accent stripes. Neon to have NO exposed wiring: electrodes into Pyrex receptacles. All wiring UL approved.

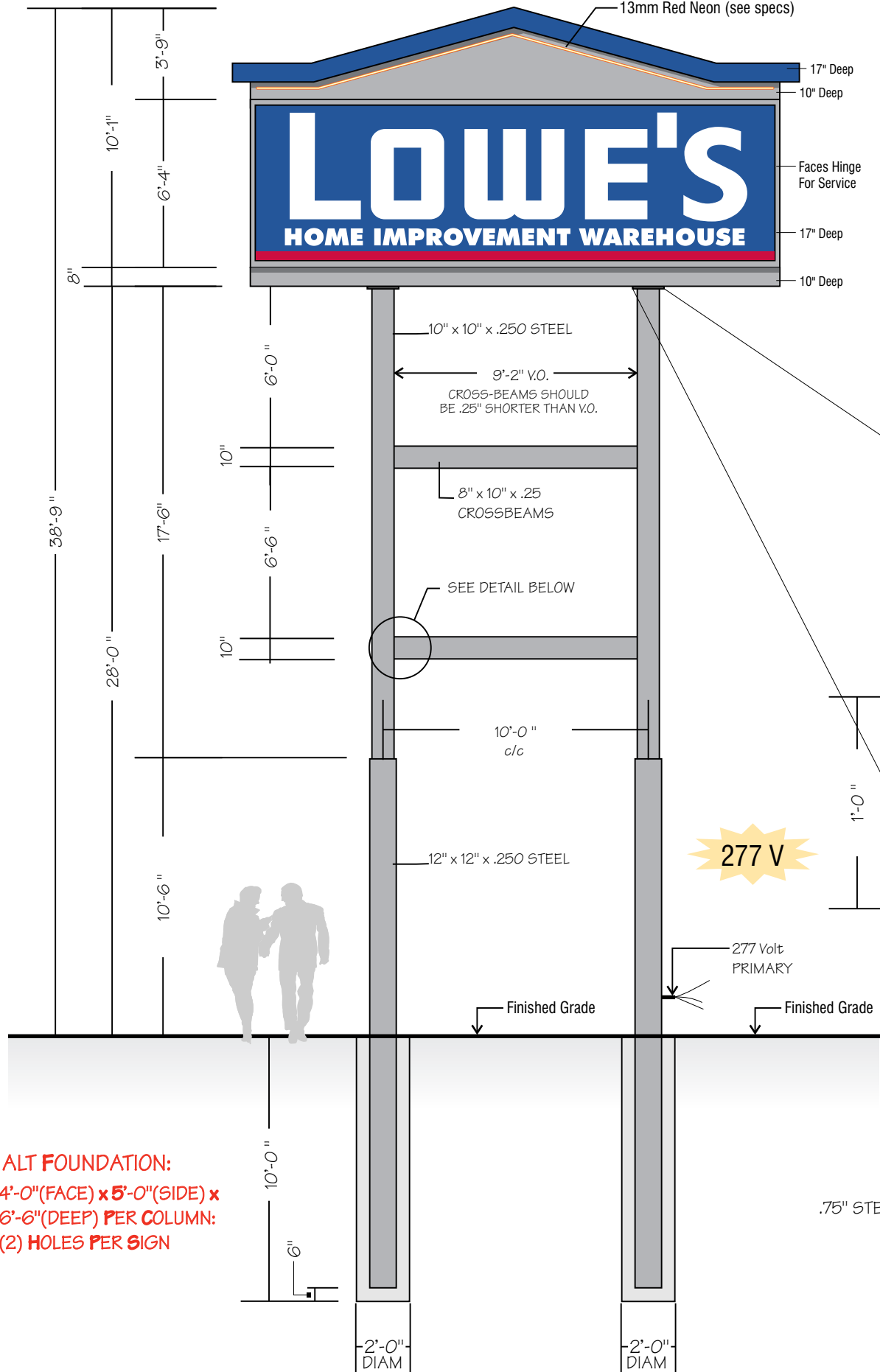
Cabinet mounted onto double pylon steel structure set in concrete foundations (as per drawing).



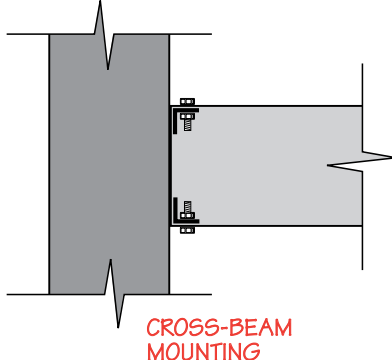
MATCHING PLATE DETAIL: 12" x 18" x .75" STEEL PLATES W/ (4) 7/8" HOLES FOR 3/4" A325 BOLTS



SCALE: 3/16" = 1'-0"



ALT FOUNDATION:
4'-0" (FACE) x 5'-0" (SIDE) x 6'-6" (DEEP) PER COLUMN:
(2) HOLES PER SIGN



ELECTRICAL NOTES:
CABINET
277 VOLT
(12) 96" D.H.O. FLOURESCENT LAMPS
(6) 72" D.H.O. FLOURESCENT LAMPS
(6) 388 - K BALLASTS @ 1.2 AMPS EACH
ROOF
(1) 12030 FRANCEFORMER @ 277 VOLT (4 AMPS)
13 MM EXPOSED RED NEON ACCENT STRIPES

277 V

Phase:

- Conceptual
- Design Development
- Final Production

This design is the property of Harlan Laws Corporation and cannot be used or distributed without the approval of said company.

DRWG.# : M413897
DATE : 13 Feb 97
REV. DATE : 20 Feb 01
LOCATION : Various
FILE : 7f9 Set no RW
JOB # :
DRAWN BY : BAINE
SCALE: As Noted

HARLAN LAWS CORPORATION
Signs of Success

304 Muldee Street
Durham, N.C.
27703
(919) 596-2124
FAX
(919) 596-0421
harlanlaws.com