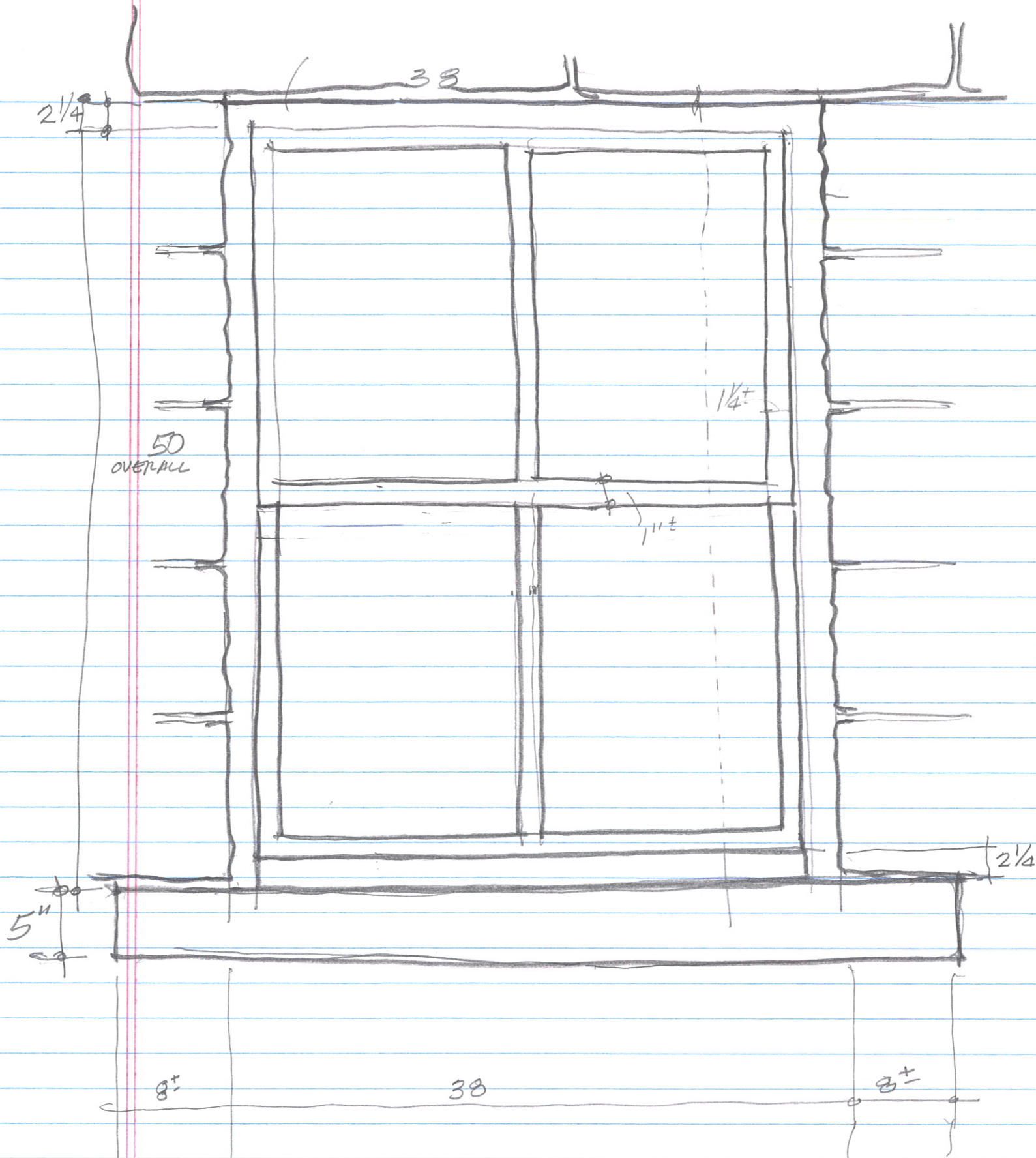


STREET SIDE/BELOW GRADE
TO BE REPLACED

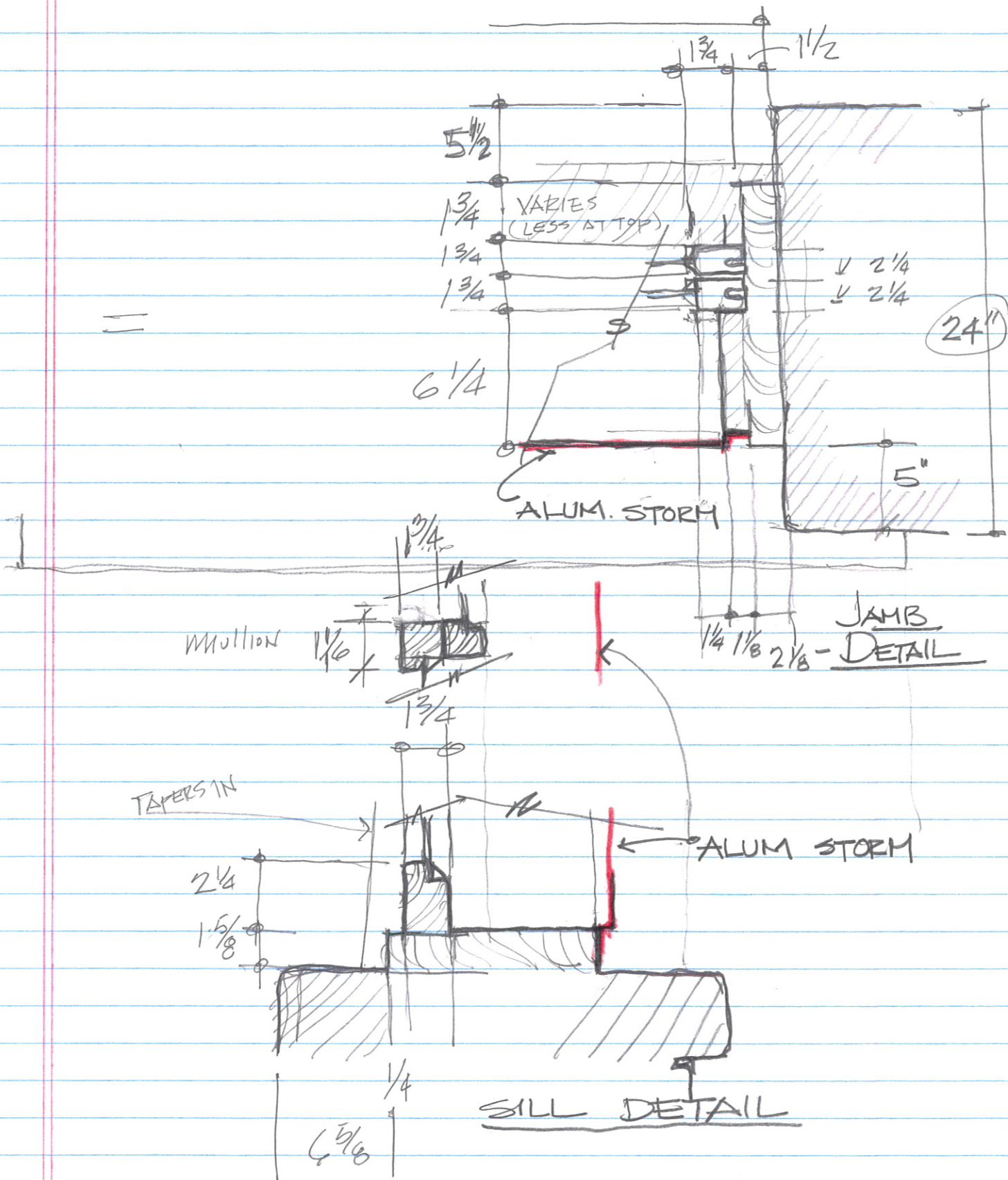
INTERIOR SIDE YARD/AT GRADE
TO BE REPLACED
SEE PHOTOS

BASEMENT FLOOR PLAN

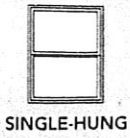
38 x 50



TYPICAL EXTERIOR ELEVATION
38 X 50 UNIT
(NOT SHOWING ALUMINUM COMBINATION)

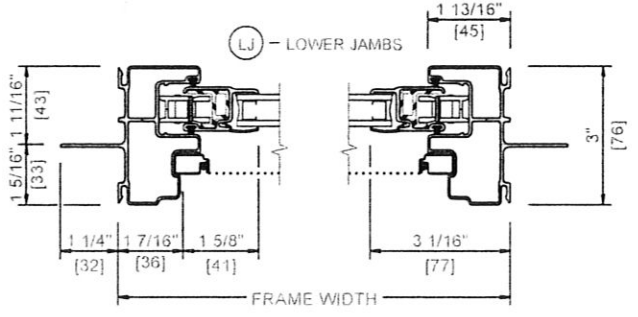
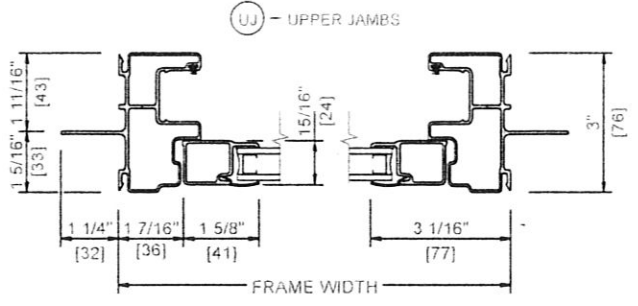
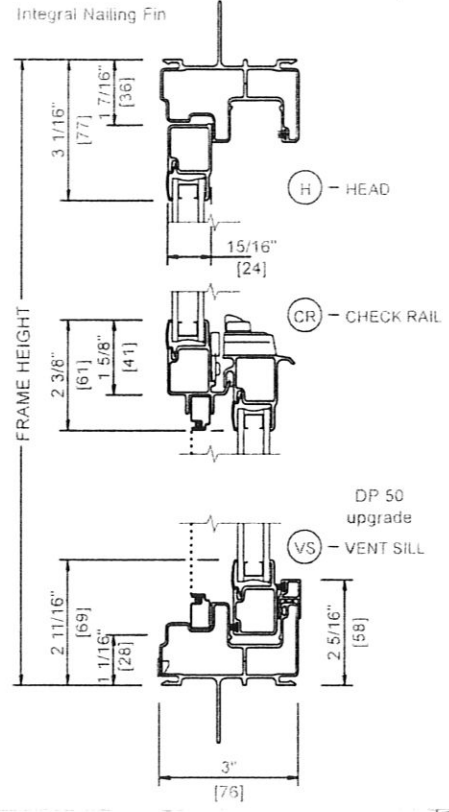
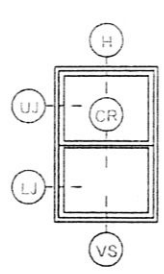


EXISTING DETAILS

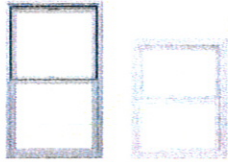


UNIT SECTIONS

Integral Nailing Fin Frame / Flush Flange Frame



PROPOSED REPLACEMENT



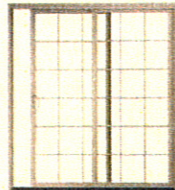
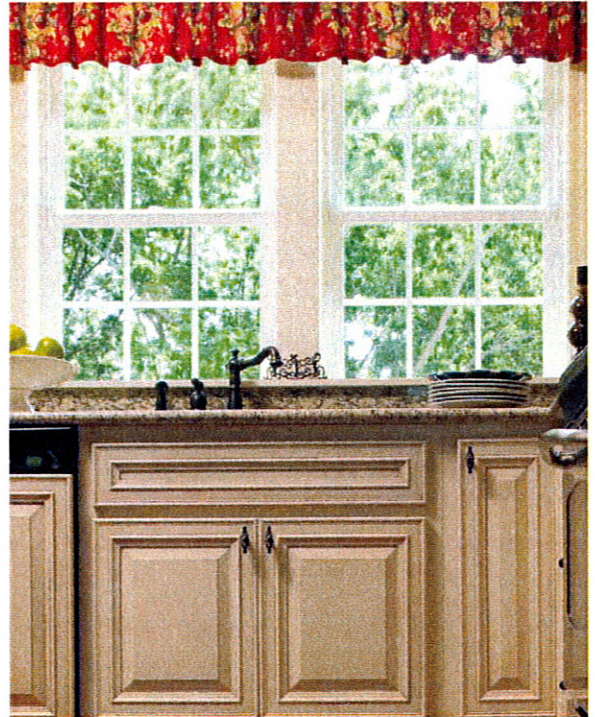
Double- and Single-Hung Windows

Years of smooth, effortless operation. Our Advanced Balance System helps ensure your window will open and close easily for years to come.

A tighter seal against the elements. Pella's cam-action locks pull the sashes against the weatherstripping. Goodbye, drafts!

Easier cleaning. Opening sash tilts in* – making it easy to clean the exterior glass from inside your home. (Just another popular feature invented by Pella.)

* Available on double-hung windows only.



Sliding Patio Doors

Exceptional security. Pella® Impervia® sliding patio doors, with multipoint lock hardware, have been awarded an ASTM Grade 40 security rating – the highest in the industry.

Better draft protection. Pella's unique design puts the sliding panel on the outside. So when the wind blows against it, it creates a tighter seal. Plus, the screen is protected from the elements.

Years of smooth operation. Roller system on sliding panel ensures easy openings and closings.



Sliding Patio Door Footbolt

Holds the door open just 3" for ventilation. Standard on Pella Impervia sliding patio doors.