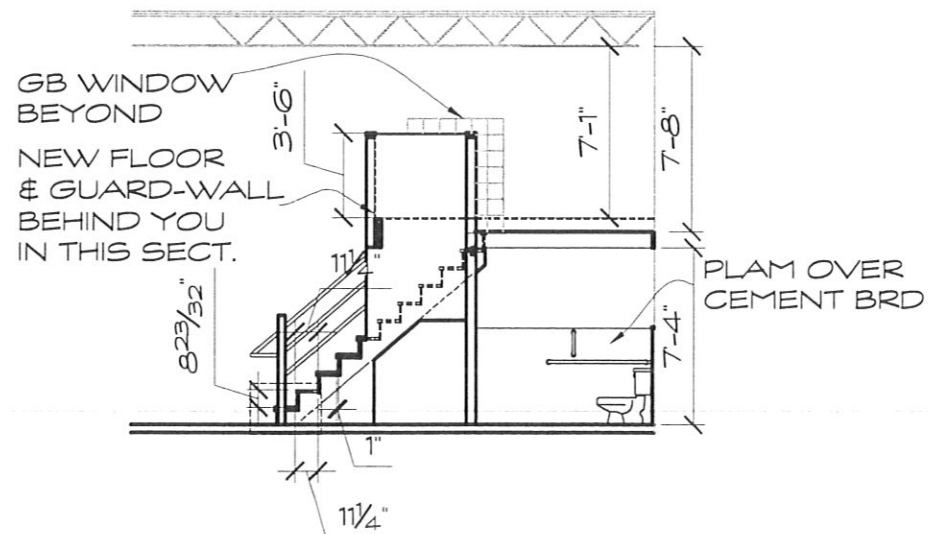
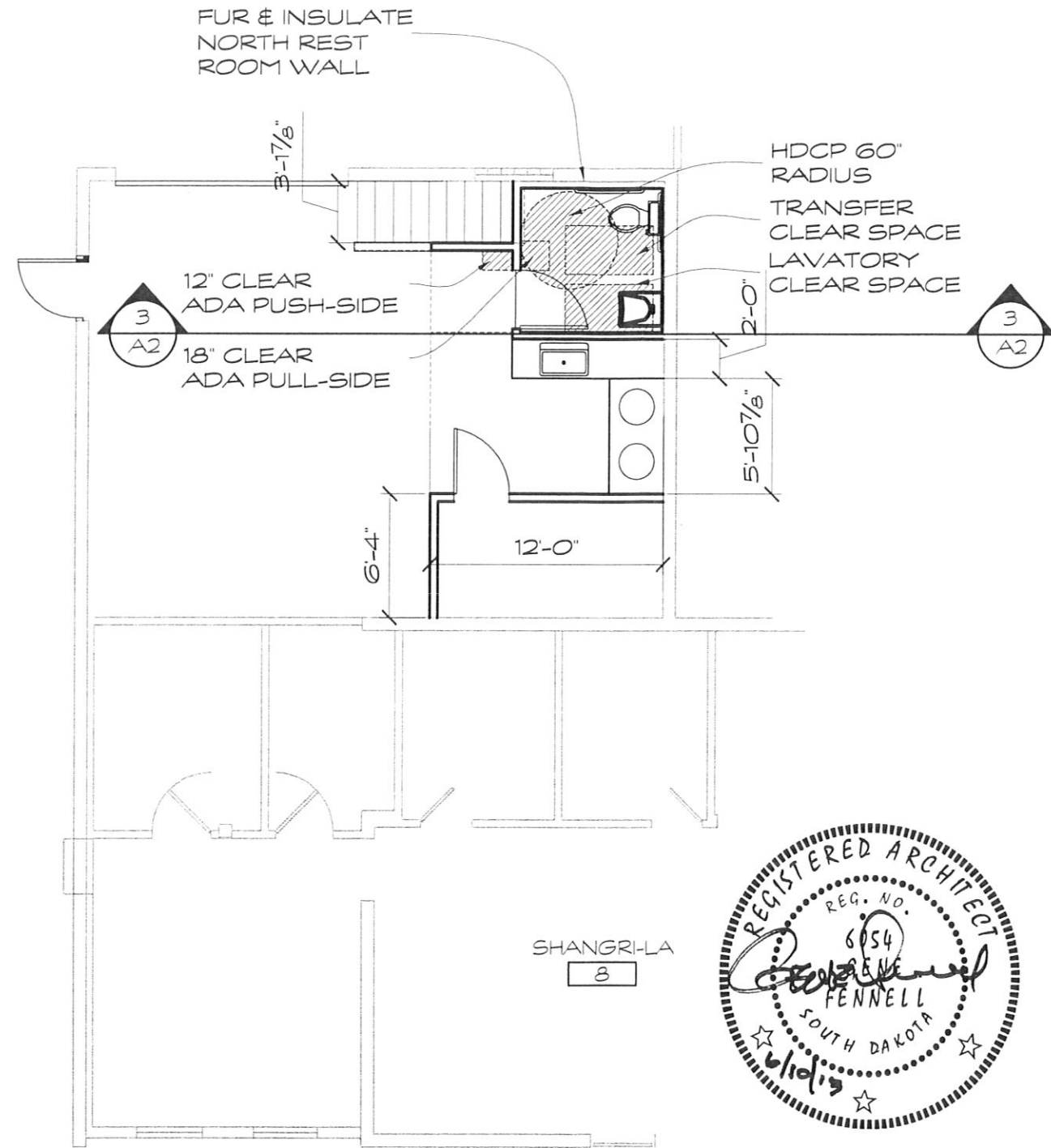


**2** MECH MEZZANINE  
A2 SCALE: 1/8" = 1'-0"



**3** S-LADDER/FLOOR SECTION  
A2 SCALE: 1/8" = 1'-0"



**1** MAIN FLOOR PLAN  
A2 SCALE: 1/8" = 1'-0"

RECEIVED

JUN 13 2013

Rapid City Community Planning & Development Services

CREAMERY GARAGE SUITE  
RAPID CITY

SHEET TITLE: brewery

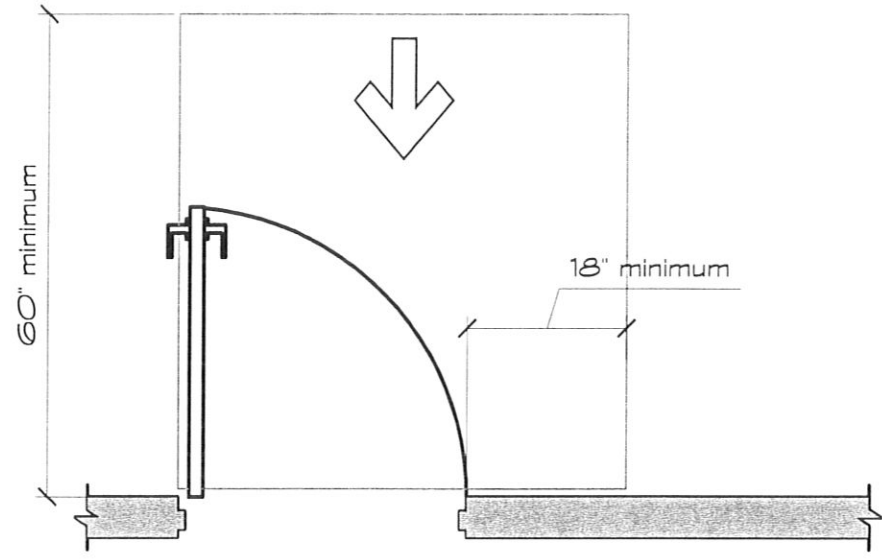
PROJECT NO.	12014
CADD FILE	DD
DATE	6/10/13
DRAWN BY	FNL

NO.	REV	DATE	BY

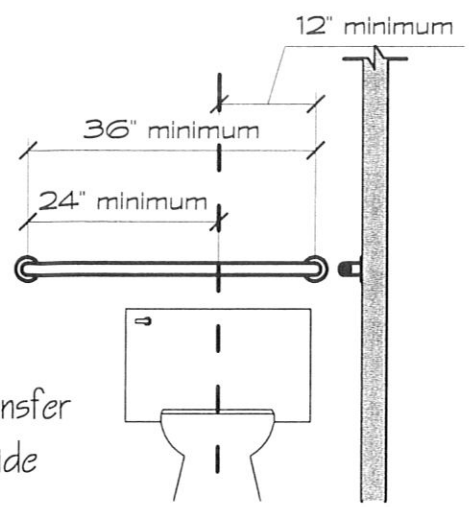
201 MAIN ST. STE. 201  
RAPID CITY, SD 57101  
(605) 716-0520  
FAX 716-0521  
237 N. 6TH ST.  
CUSTER, SD 57730  
(605) 673-6336

**Fennell Design, Inc.**  
Architecture & Project Management

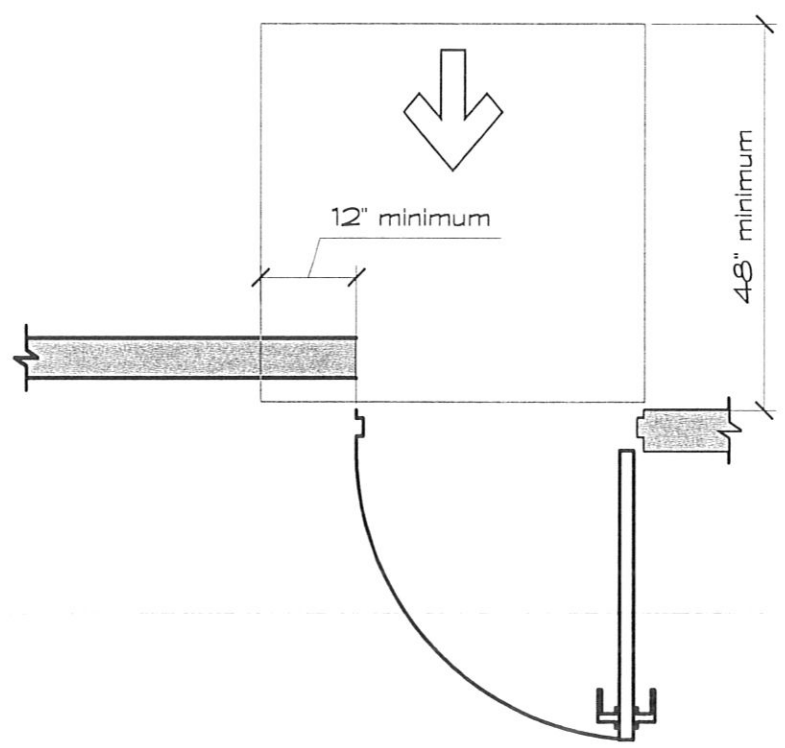
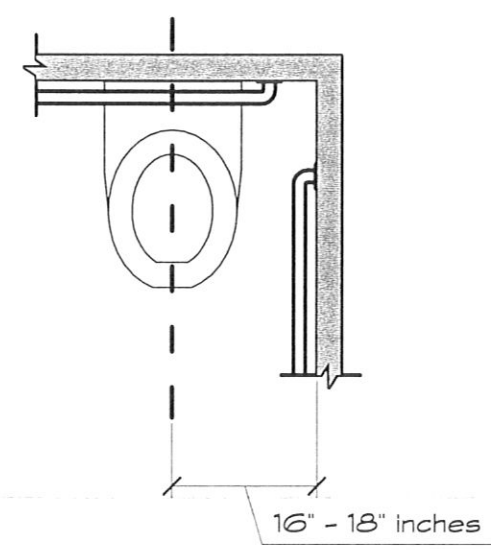
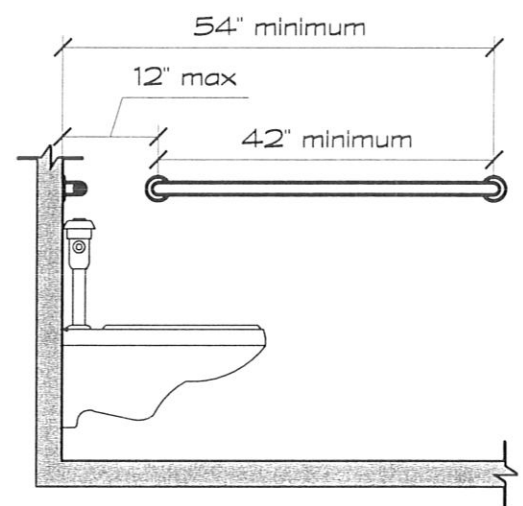
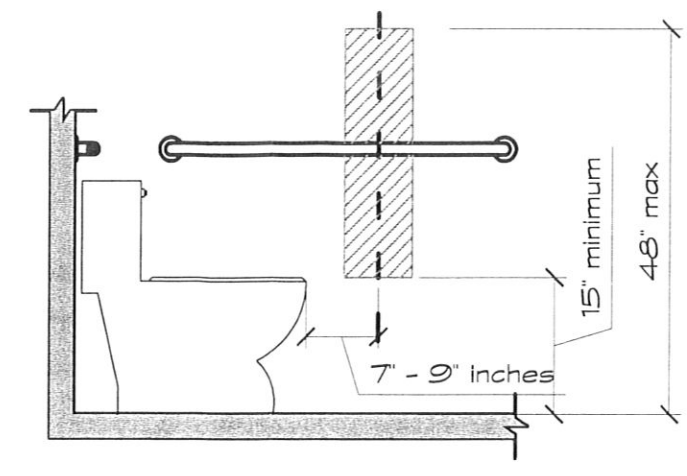
A2



FRONT APPROACH/PULL SIDE



transfer side



FRONT APPROACH/PUSH SIDE W/CLOSER & LATCH . WHEELCHAIR ACCESSIBLE W.C. LOCATION



HAY CAMP BREWERY  
RAPID CITY, SD  
SHEET TITLE: ADA/ABA MANEUVERING & CLEARANCE

COMM. NO.:	13005
CADD FILE:	CD
DATE:	6.10.13
DRAWN BY:	FNL

NO.	REVISIONS:	DATE:	BY:

201 MAIN ST. STE. 201  
RAPID CITY, SD 57101  
(605) 716-0920  
FAX 716-0521

237 N. 6TH ST.  
CUSTER, SD 57730  
(605) 673-6336

**Fennell Design, Inc.**  
Architecture & Project Management

