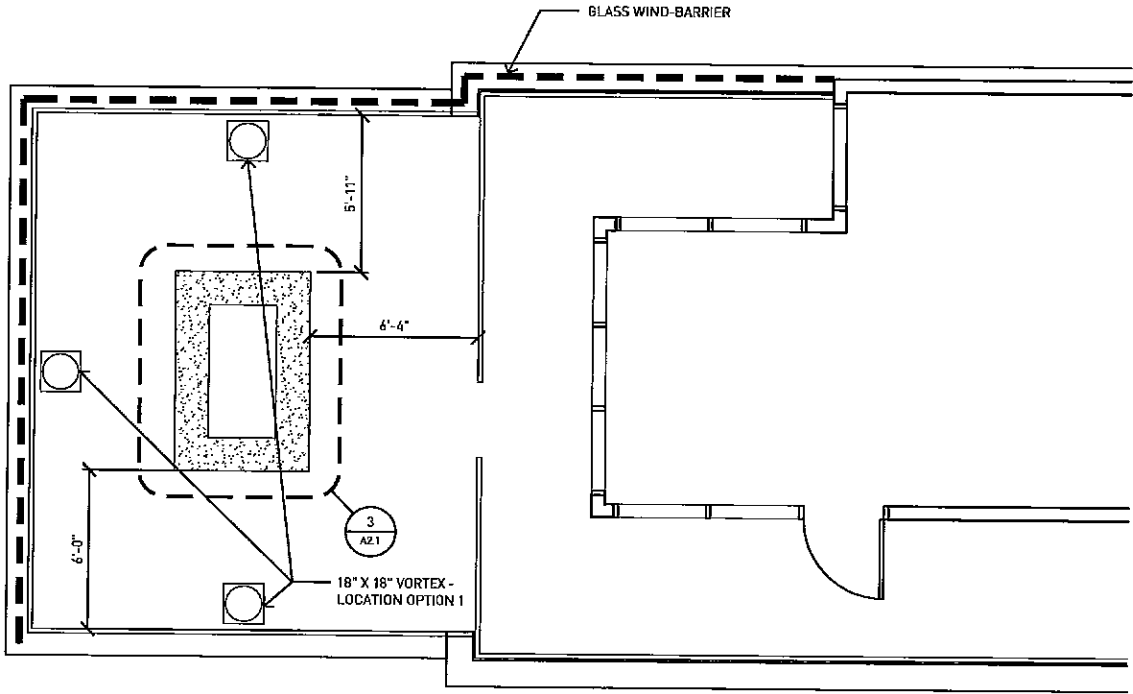
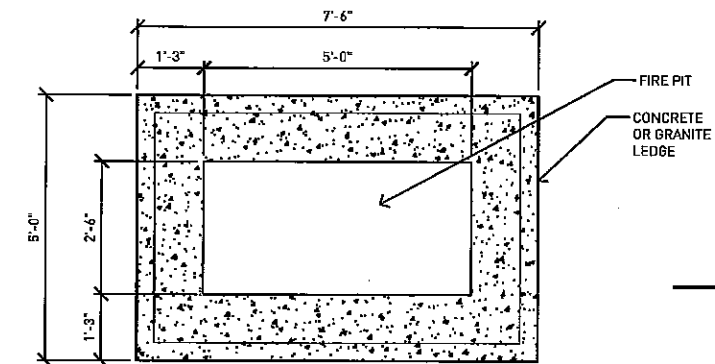


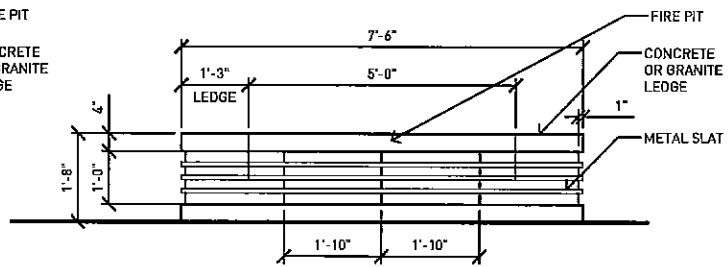
1 11th FLOOR PLAN | FURNITURE LAYOUT + CLEARANCES
SCALE 1/4" = 1'-0"



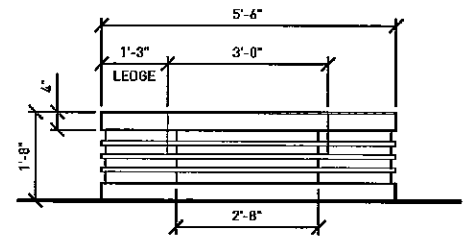
1 11th FLOOR PLAN
SCALE 1/4" = 1'-0"



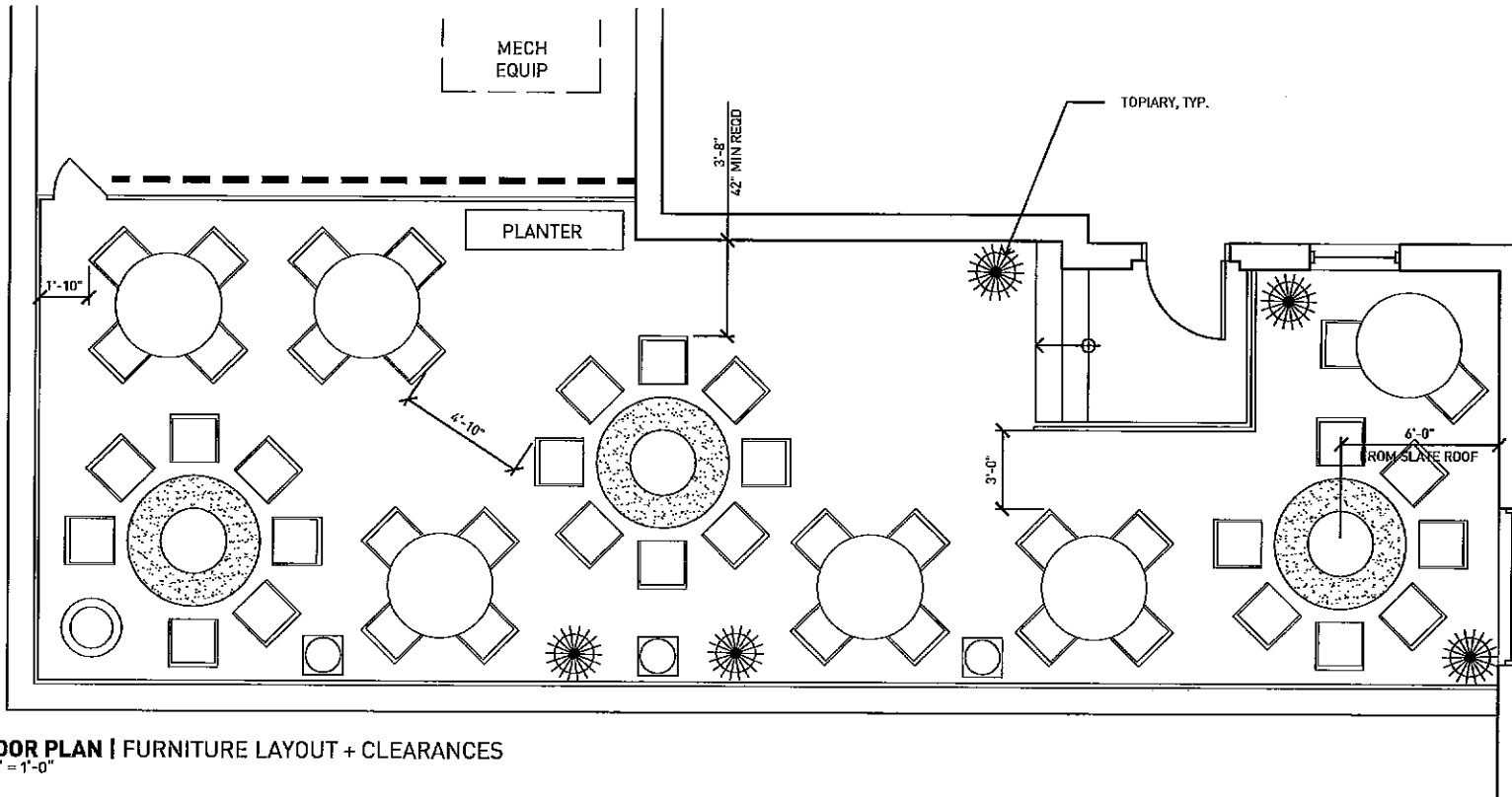
3 FIRE PIT | PLAN
SCALE 1/2" = 1'-0"



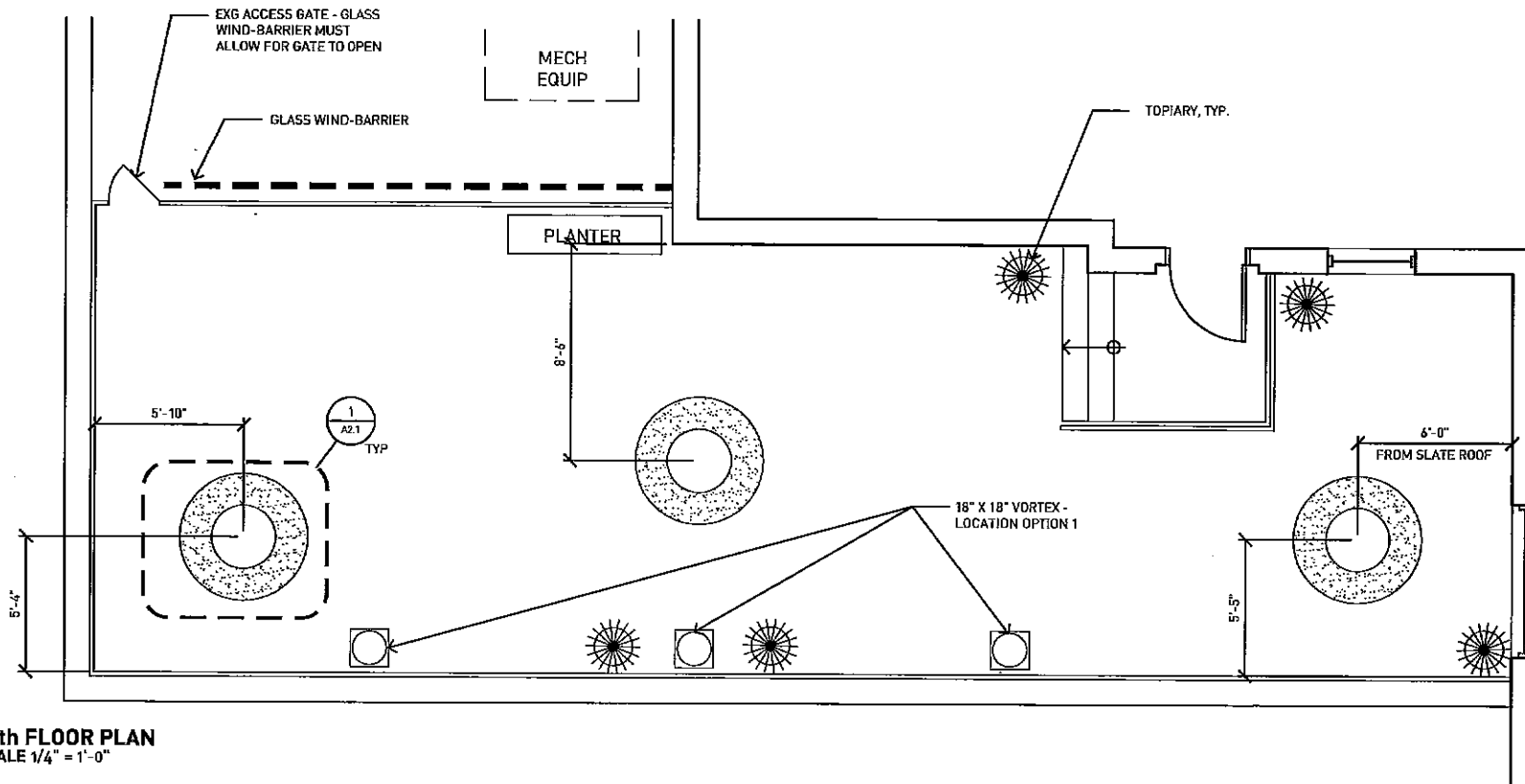
4 FIRE PIT | ELEVATION
SCALE 1/2" = 1'-0"



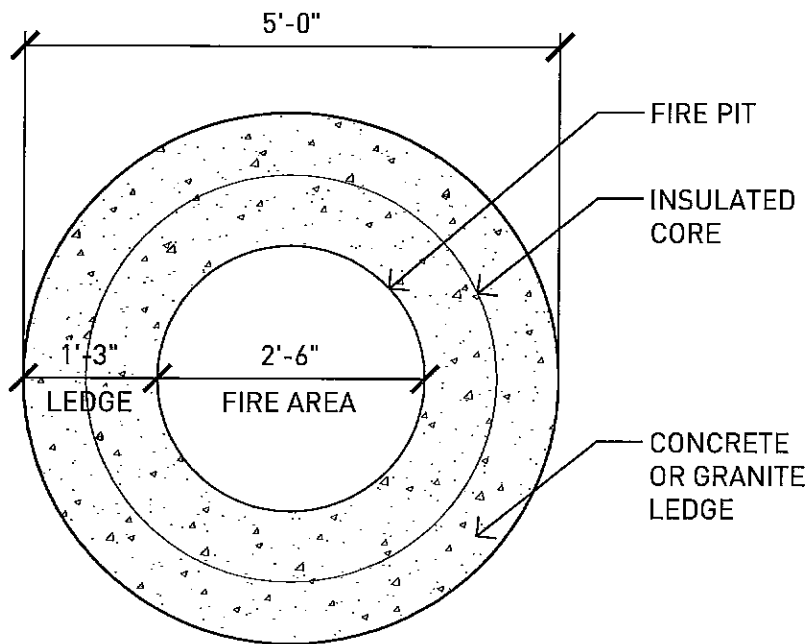
5 FIRE PIT | PLAN
SCALE 1/2" = 1'-0"



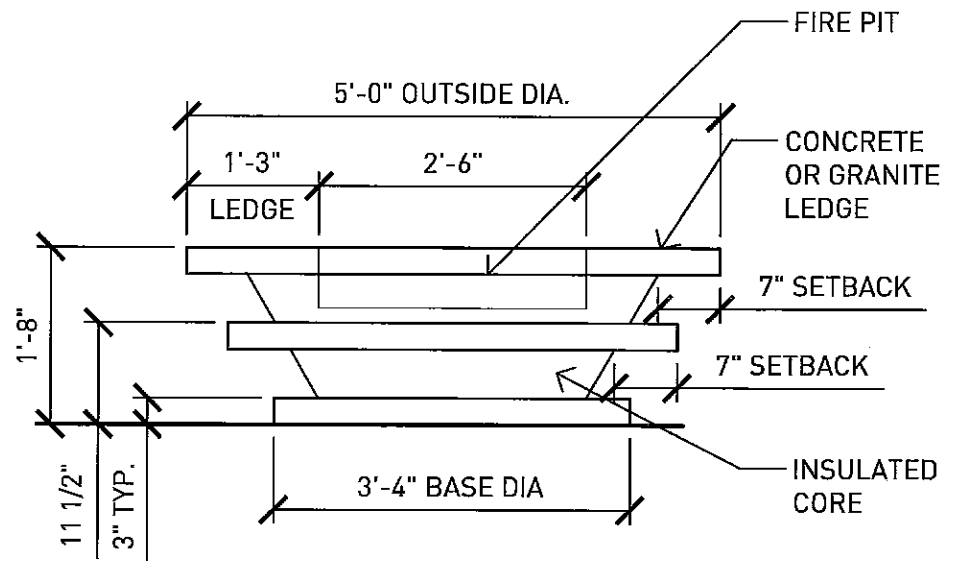
2 10th FLOOR PLAN | FURNITURE LAYOUT + CLEARANCES
 SCALE 1/4" = 1'-0"



2 10th FLOOR PLAN
 SCALE 1/4" = 1'-0"



1 RING FIRE PIT | PLAN
 SCALE 1/2" = 1'-0"



2 RING FIRE PIT | ELEVATION
 SCALE 1/2" = 1'-0"