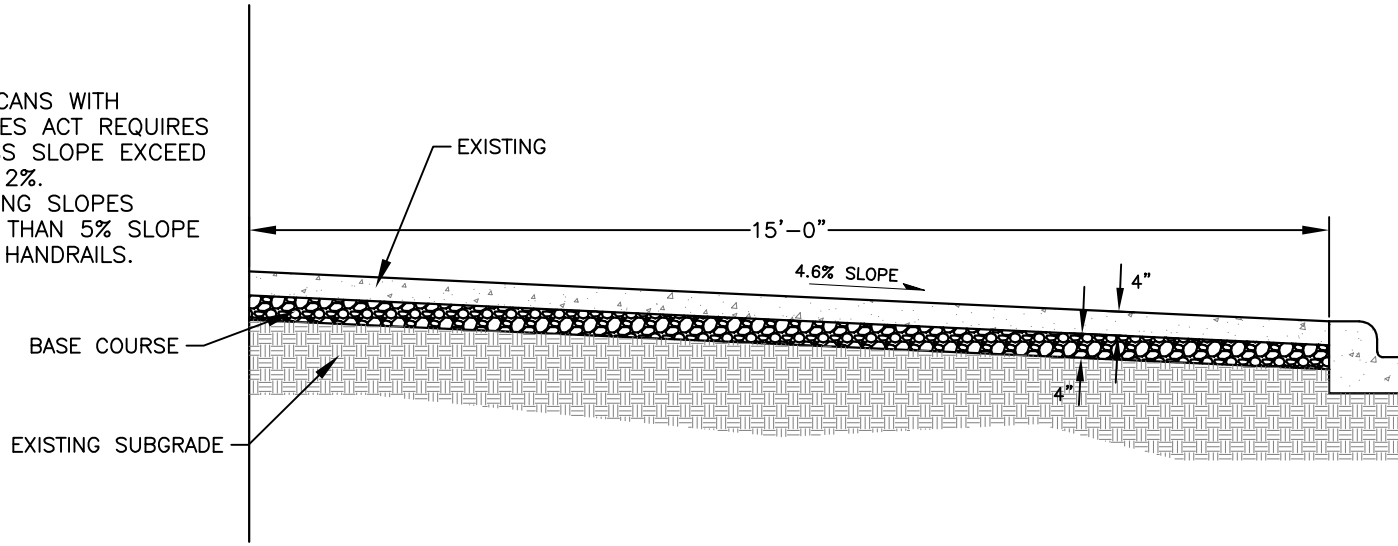
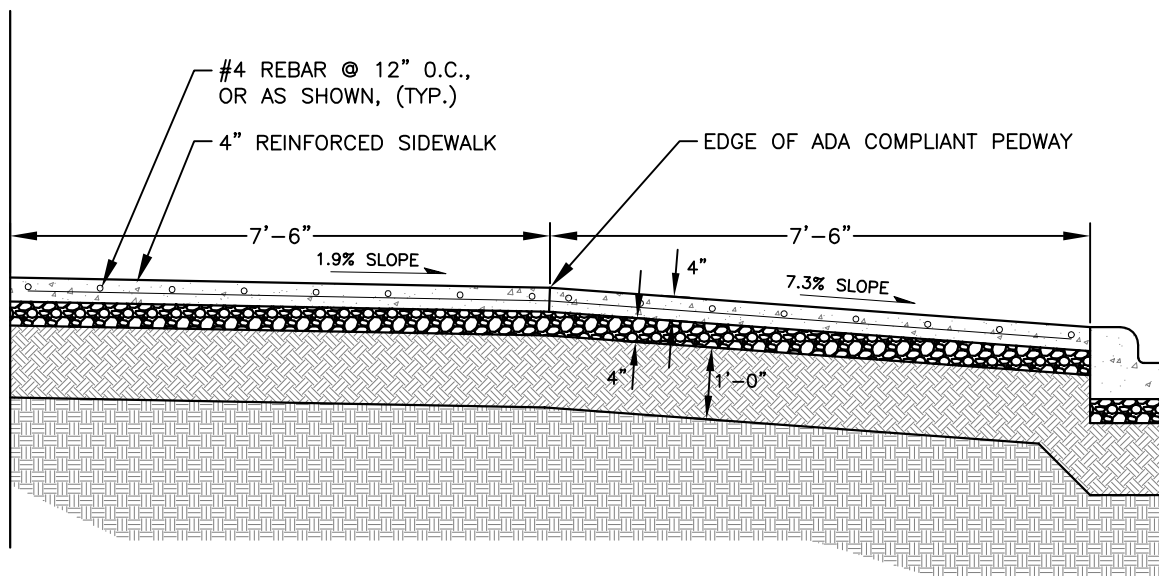


NOTES:

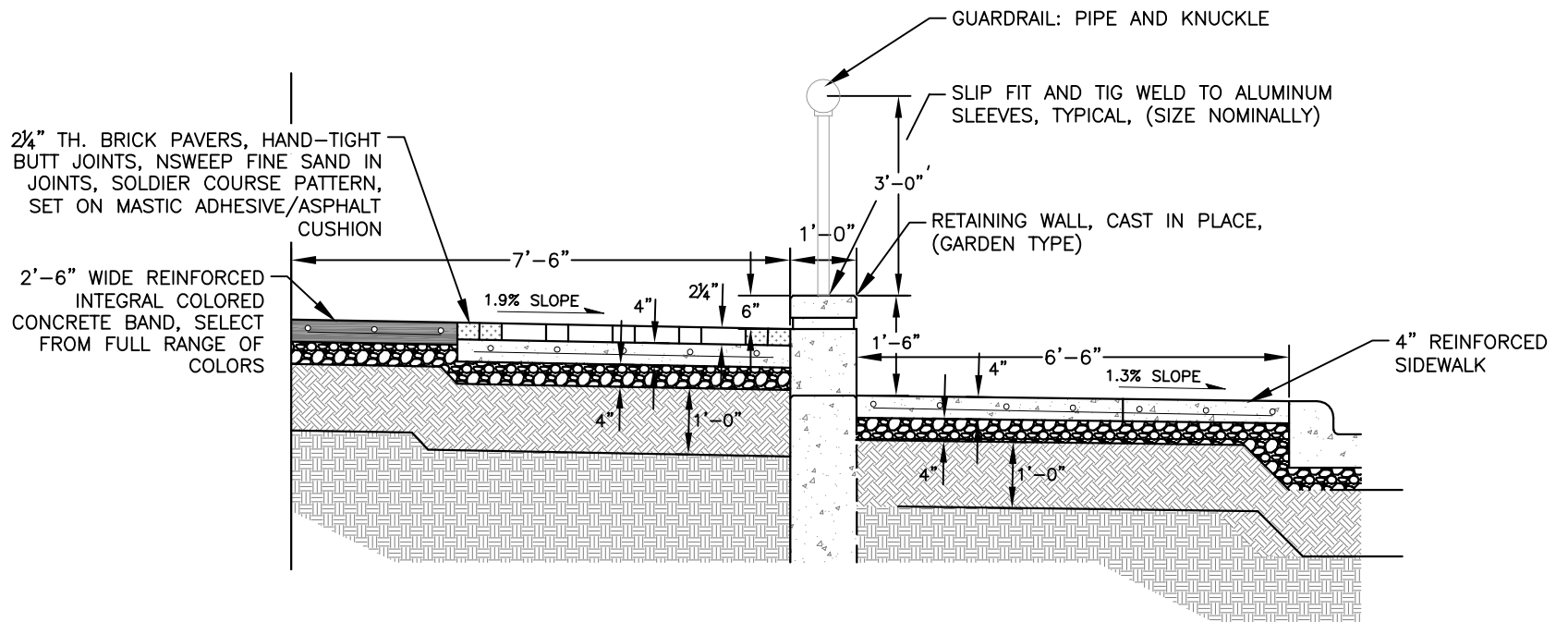
1. AMERICANS WITH DISABILITIES ACT REQUIRES NO CROSS SLOPE EXCEED 1:50 OR 2%.
2. RUNNING SLOPES GREATER THAN 5% SLOPE REQUIRE HANDRAILS.



1
L1.00
EXISTING SIDEWALK SECTION,
NOT ADA COMPLIANT
3/8" = 1'-0"



2
L1.00
NON ADA COMPLIANT PEDWAY
WITH SLOPED PAVEMENT
3/8" = 1'-0"



3
L1.00
ADA COMPLIANT PEDWAY WITH NON STRUCTURAL
RETAINING WALL (GARDEN TYPE)
3/8" = 1'-0"