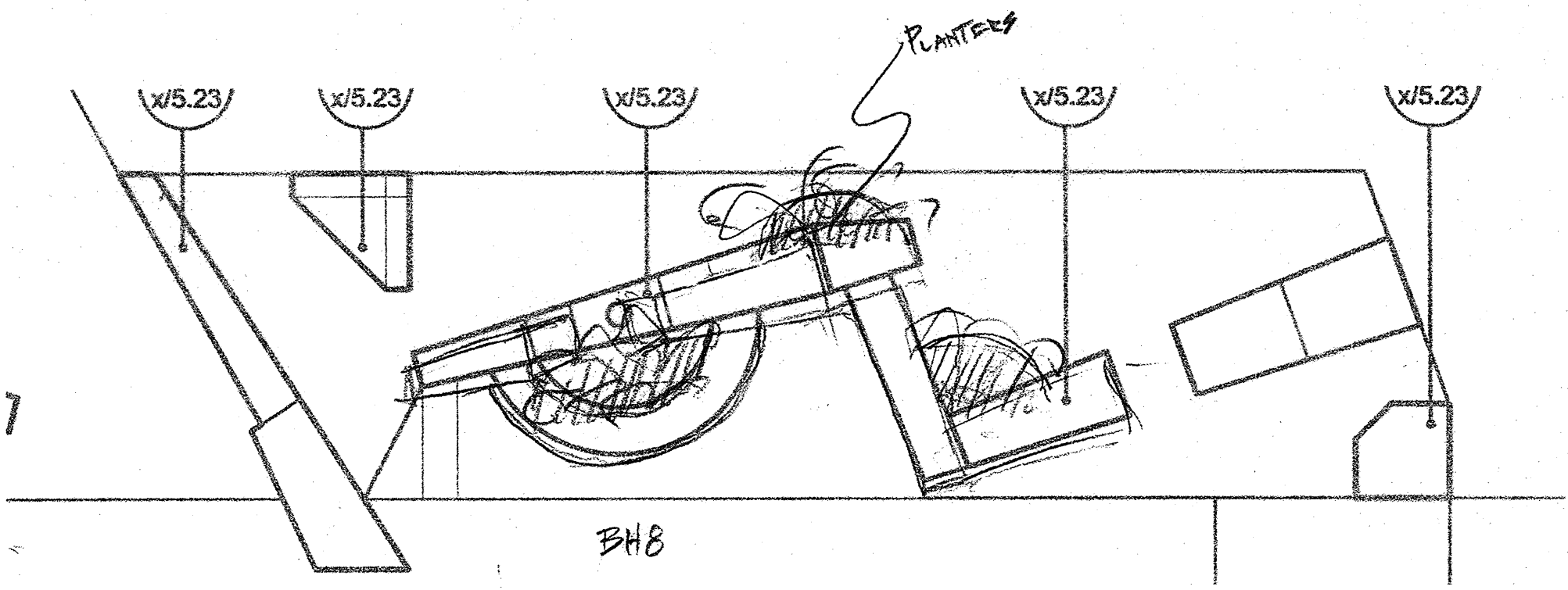
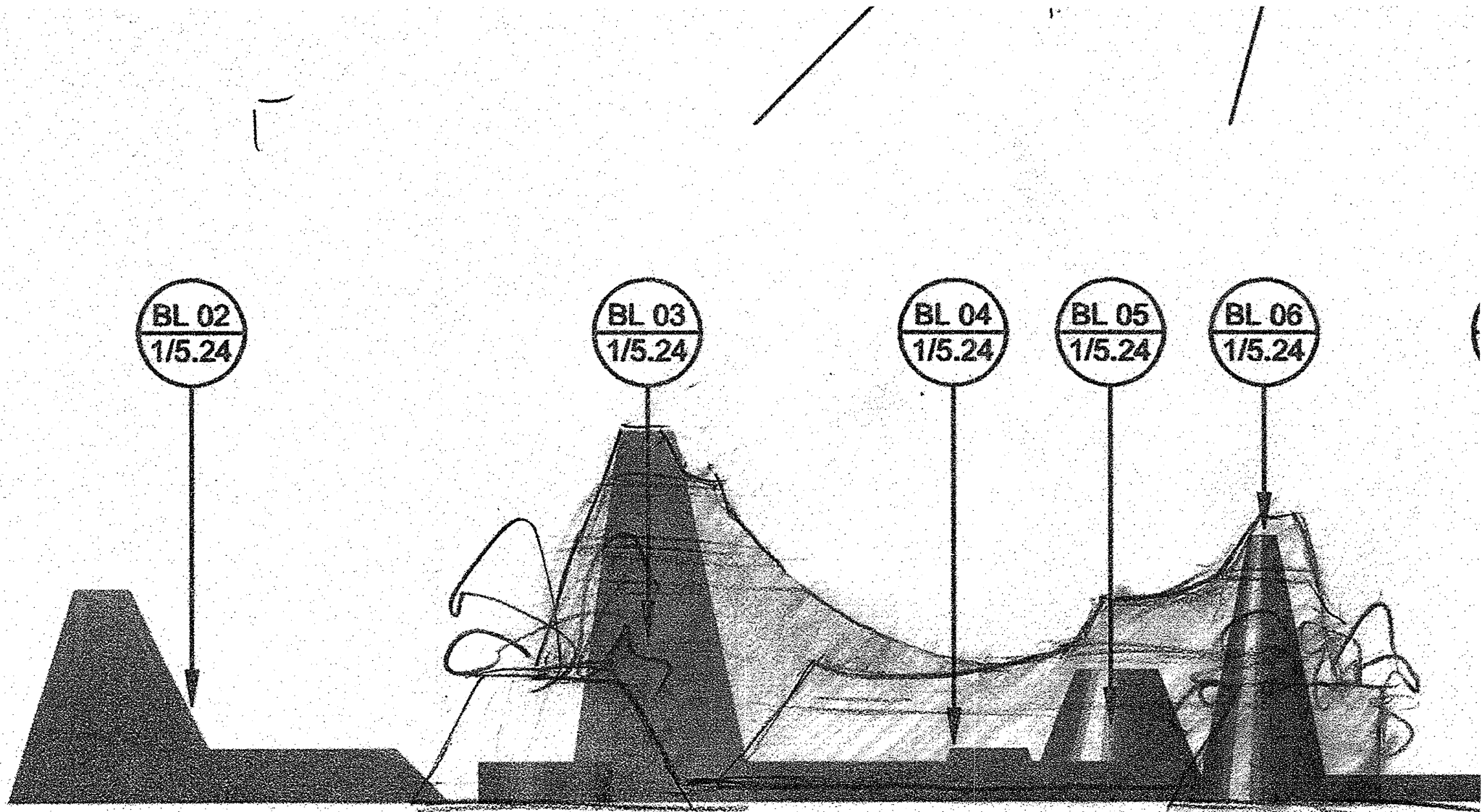
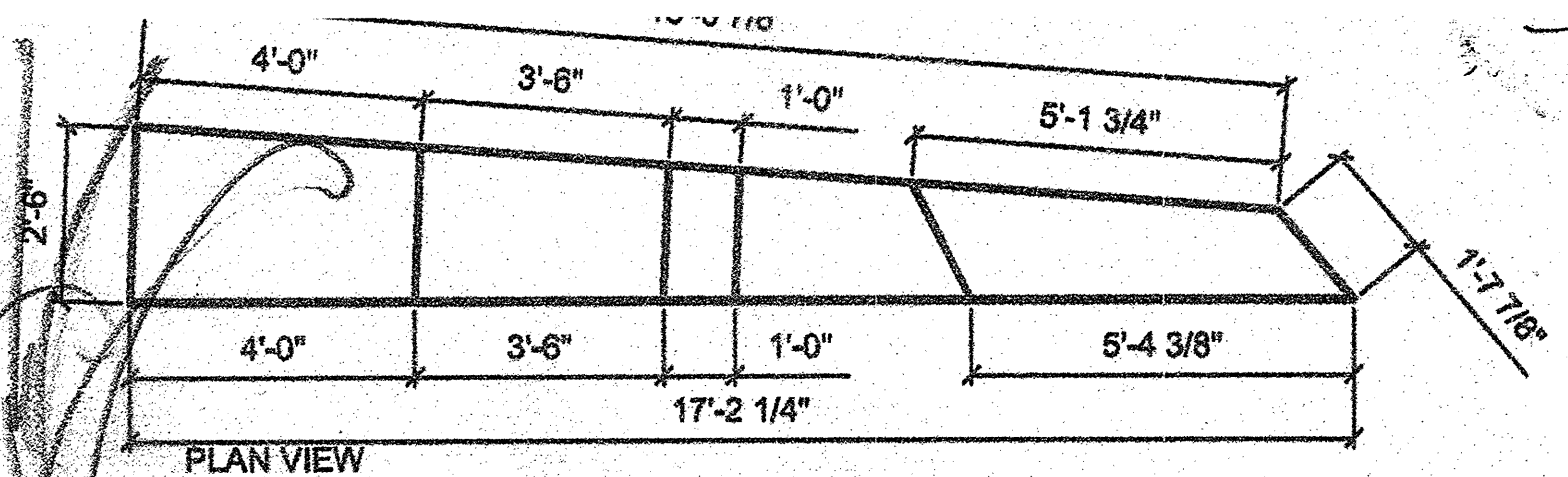


Bh 03-05

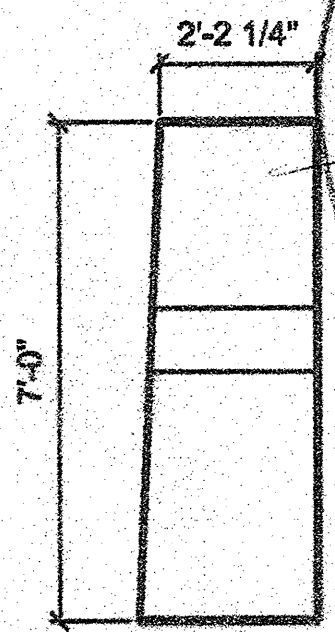




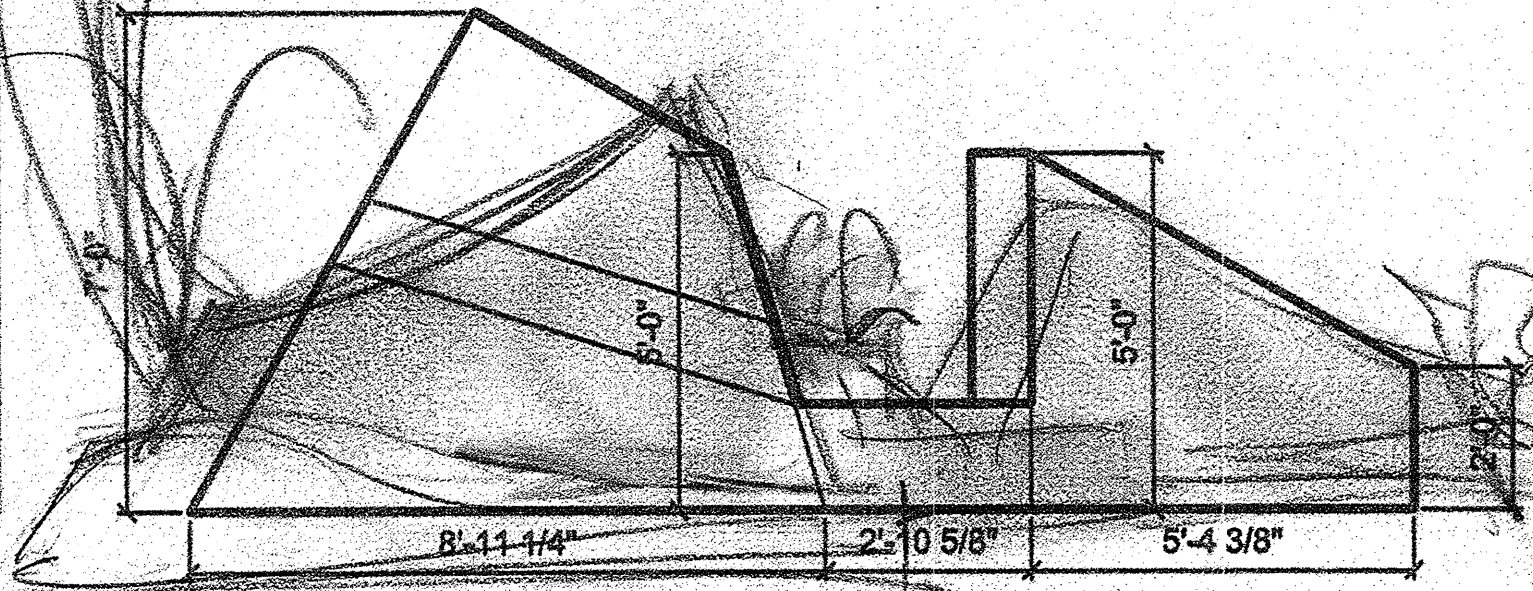
1 BL 03 - 06



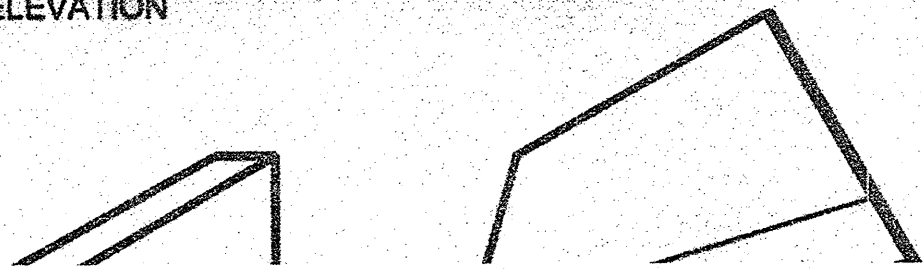
PLAN VIEW



SOUTH ELEVATION



EAST ELEVATION



BL 02
1/5.24

BL 03
1/5.24

BL 04
1/5.24

BL 05
1/5.24

BL 06
1/5.24



