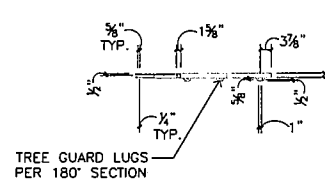


9'x4' RECTANGULAR TREE GRATE, OR APPROVED EQUAL. SUPPLIED BY:
NEENAH FOUNDRY COMPANY
2121 BROOKS AVENUE
NEENAH, WISCONSIN 54956
P.O. BOX 729
PHONE: (920)725-7000
FAX: (920)729-3661

TREE GRATE HALVES BOLTED TOGETHER W/ (2) 1/2" x 13 x 3 STNLS. STL. HEX. BOLT AND HEX. NUT W/ WASHER

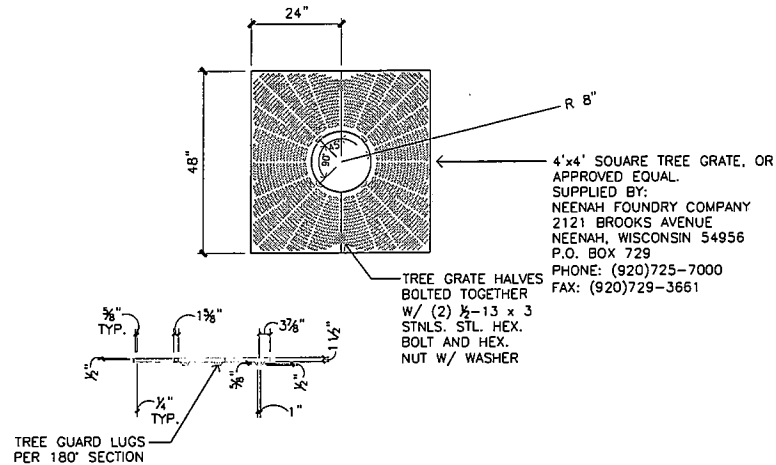


TREE GUARD LUGS PER 180° SECTION

COMPONENT NO'S: (2) TREE GRATE 8708-0017
(2) END SECTION 8708-0016
MATERIAL: CAST GRAY IRON ASTM A-48, CLASS 35B
FINISH: NO PAINT
WEIGHT: 624#/SET

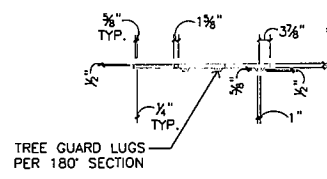
- NOTES:
1. INSTALLATION TO BE COMPLETED IN ACCORDANCE WITH MANUFACTURER'S SPECIFICATIONS.
 2. CONTRACTOR'S NOTE: FOR PRODUCT AND PURCHASING INFORMATION VISIT www.CADdetails.com/info
 3. REFERENCE NUMBER 071-003A.

1 R-8813 RECTANGULAR TREE GRATE 108" x 48"
DTL-6 SCALE: 3/8" = 1'-0"



4'x4' SQUARE TREE GRATE, OR APPROVED EQUAL. SUPPLIED BY:
NEENAH FOUNDRY COMPANY
2121 BROOKS AVENUE
NEENAH, WISCONSIN 54956
P.O. BOX 729
PHONE: (920)725-7000
FAX: (920)729-3661

TREE GRATE HALVES BOLTED TOGETHER W/ (2) 1/2" x 13 x 3 STNLS. STL. HEX. BOLT AND HEX. NUT W/ WASHER

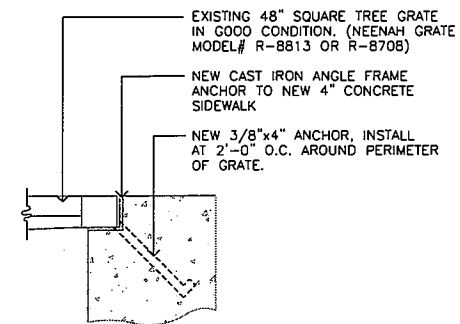


TREE GUARD LUGS PER 180° SECTION

COMPONENT NO'S: (2) TREE GRATE 8708-0017
MATERIAL: CAST GRAY IRON ASTM A-48, CLASS 35B
FINISH: NO PAINT
WEIGHT: 624#/SET

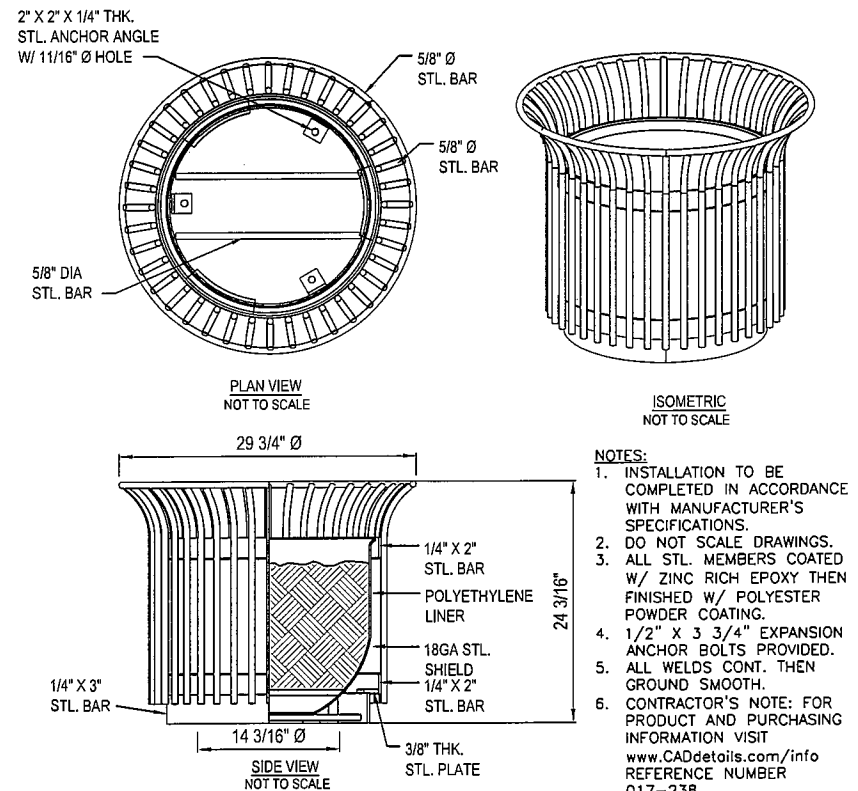
- NOTES:
1. INSTALLATION TO BE COMPLETED IN ACCORDANCE WITH MANUFACTURER'S SPECIFICATIONS.
 2. CONTRACTOR'S NOTE: FOR PRODUCT AND PURCHASING INFORMATION VISIT www.CADdetails.com/info
 3. REFERENCE NUMBER 071-003A.

2 R-8708 SQUARE TREE GRATE 48" x 48"
DTL-6 SCALE: 3/8" = 1'-0"



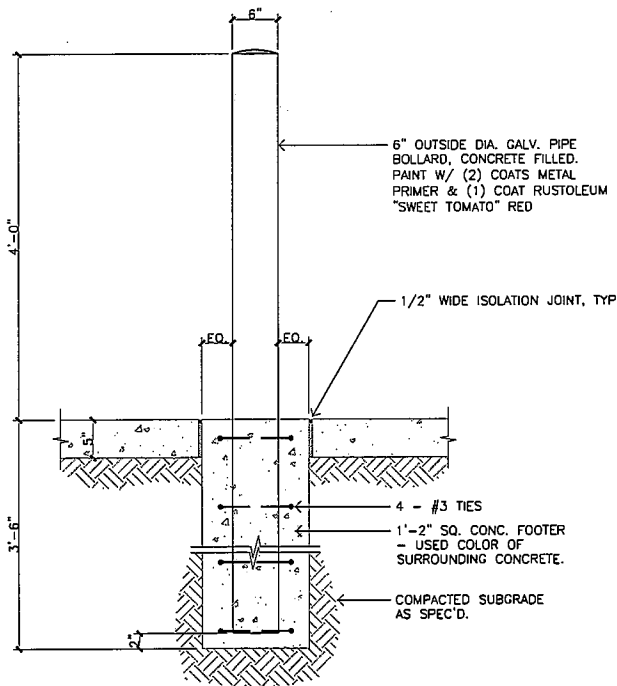
EXISTING 48" SQUARE TREE GRATE IN GOOD CONDITION. (NEENAH GRATE MODEL# R-8813 OR R-8708)
NEW CAST IRON ANGLE FRAME ANCHOR TO NEW 4" CONCRETE SIDEWALK
NEW 3/8" x 4" ANCHOR, INSTALL AT 2'-0" O.C. AROUND PERIMETER OF GRATE.

3 DETAIL: TREE GRATE FRAME AND ANCHOR
DTL-6 SCALE: 3" = 1'-0"

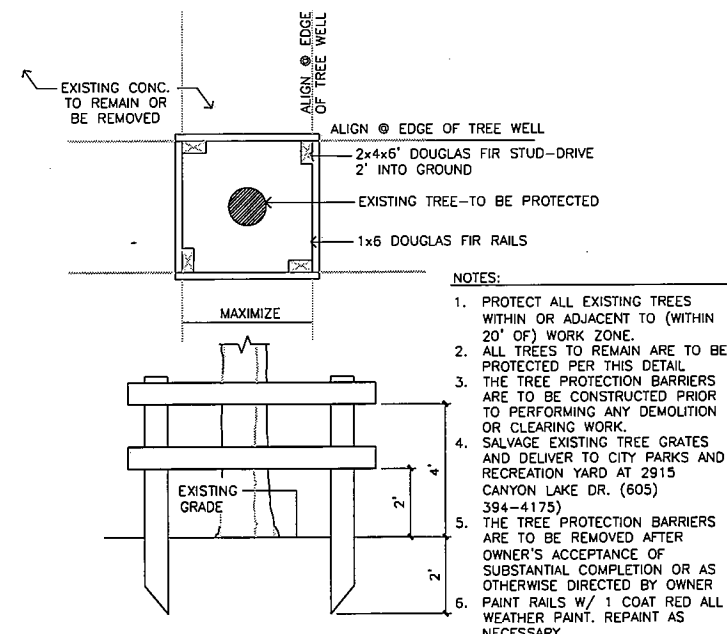


- NOTES:
1. INSTALLATION TO BE COMPLETED IN ACCORDANCE WITH MANUFACTURER'S SPECIFICATIONS.
 2. DO NOT SCALE DRAWINGS.
 3. ALL STL. MEMBERS COATED W/ ZINC RICH EPOXY THEN FINISHED W/ POLYESTER POWDER COATING.
 4. 1/2" x 3 3/4" EXPANSION ANCHOR BOLTS PROVIDED.
 5. ALL WELDS CONT. THEN GROUND SMOOTH.
 6. CONTRACTOR'S NOTE: FOR PRODUCT AND PURCHASING INFORMATION VISIT www.CADdetails.com/info REFERENCE NUMBER 017-23B.
 7. FILL WITH 3" DRAIN ROCK, A CIRCLE OF FILTER FABRIC AND PLANTER SOIL

4 DUMOR PLANTING URN
DTL-6 SCALE: 3/4" = 1'-0"

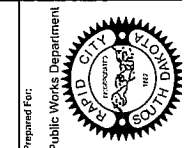


5 SECTION: TYPICAL PIPE BOLLARD
DTL-6 SCALE: 1" = 1'-0"



- NOTES:
1. PROTECT ALL EXISTING TREES WITHIN OR ADJACENT TO (WITHIN 20' OF) WORK ZONE.
 2. ALL TREES TO REMAIN ARE TO BE PROTECTED PER THIS DETAIL.
 3. THE TREE PROTECTION BARRIERS ARE TO BE CONSTRUCTED PRIOR TO PERFORMING ANY DEMOLITION OR CLEARING WORK.
 4. SALVAGE EXISTING TREE GRATES AND DELIVER TO CITY PARKS AND RECREATION YARD AT 2915 CANYON LAKE DR. (605) 394-4175.
 5. THE TREE PROTECTION BARRIERS ARE TO BE REMOVED AFTER OWNER'S ACCEPTANCE OF SUBSTANTIAL COMPLETION OR AS OTHERWISE DIRECTED BY OWNER.
 6. PAINT RAILS W/ 1 COAT RED ALL WEATHER PAINT. REPAINT AS NECESSARY.

6 DETAIL: STREET TREE PROTECTION
DTL-6 SCALE: 1" = 1'-0"



Prepared For:
Public Works Department
517 7th Street Rapid City SD 57701
ph: 605.342.9470 fax: 605.342.2377
www.rapidcity.org



PRELIMINAR
95%
Review Set

| | |
|------------------|----------|
| Scale: | AS SHOWN |
| Designed By: | MF/MJ/AW |
| Design Date: | 12-23-09 |
| Print Date: | 7-02-10 |
| Internal Job No: | 08103 |
| Surveyed By: | |
| Survey Date: | |
| Revisions: | |

DOWNTOWN STREET RECONSTRUCTION
SIXTH STREET
OMAHA STREET TO KANSAS CITY STREET

CITY PROJECT #
ST10-1817
Sheet Title:
6TH ST. - KC TO ST JC
SITE DETAILS
Sheet:
DTL-6

Wyss
Associates, Inc.
Landscape Architecture - Golf Course Architecture - Parks & Recreation Design
728 Sixth Street Rapid City, South Dakota 57701-3670 605.348.2268 Fax 605.348.6506
email: info@wyssassociates.com