

Series 7100 Insulated Steel Door Double Protection Against

The Forces of Nature



The INDEPENDENCE® Keeps Weather Outside

- Energy efficiency created from two layers of steel bonded to CFC-free expanded polystyrene insulation.
- 2" thick sections give you 45% more insulating barrier than the common 1³/₈" sandwich style door.
- Uses extra-strong bonding adhesive and mechanical holding system.
- Continuous hinge mounting plate for added strength.
- Heavy duty hardware.
- Available in standard sizes — raised panel or flush exterior.
- Bottom weather seal factory installed.
- Sections factory prepainted exterior, interior and steel end caps. (as shown above)
- Full range of window styles available.
- 15-year limited warranty.



Quality Garage Doors
General American Door Company

Independence® Series 7100

STANDARD FEATURES

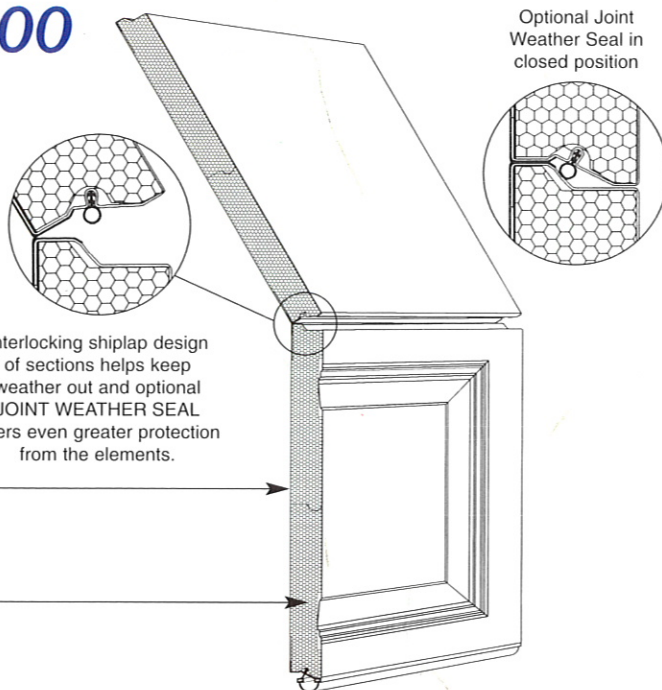
- 2" thick sections are rollformed and embossed from 26 gauge and 28 gauge galvanized steel for long lasting durability.
- The interlocking shi lap design of the sections helps keep weather out.
- Continuous hinge plate covering top and bottom of section provides secure hardware fastening.
- Available in five colors including white, almond, sandstone, teratone and brown.
- Prefinished surfaces, inside and out (including the steel end stiles), with a tough two-coat system of a baked on polyester finish over a primer base.
- 2" energy efficient, CFC-free expanded polystyrene insulation, laminated to the steel outer and inner skin, provides an effective sound and weather barrier.
- U-shaped vinyl weather seal factory installed in an aluminum retainer.
- 2" track, galvanized for rust protection.
- 2" steel ball bearing rollers.
- Extension spring counterbalance system with containment devices.
- Heavy 14 gauge hardware for long lasting smooth operation.
- Heavy duty reinforcing struts for extra strength:
 - One 2 1/4" strut standard on 14 ft. and 16 ft. wide doors.
 - One 3" strut standard on 18 ft. wide doors.
- 15-year limited warranty on sections.
- 3-year limited warranty on components.

OPTIONAL FEATURES

- Full selection of window styles.
- Full perimeter and section joint (bulb type) weather seals for added weather protection.
- Door preparation for operator attachment, which is required if door is to have electric operator installed.
- Cylinder lock, for added security.
- Exterior T-handle lock, for security.
- Low headroom mounting options for installation with low ceilings.
- Torsion spring counterbalance system for even smoother operation.

DOOR WIDTHS: 8', 9', 10', 12', 14', 16' & 18'.

DOOR HEIGHTS: 6'6", 6'9", 7' & 8'.



MIX 'N MATCH

Colors		Optional windows	
DOOR	WINDOW INSERT		
X White X	X	Sunburst (Double Door)	
X Brown X	X	Sunburst (For Double Door - Two Single Doors)	
X Almond X	X	Sunburst (Single Door)	
X Sandstone X	X	Acrylic windows available in bronze and zinc	
X Teratone X	X	Cathedral	Fluted
Evening Grey X	X	Colonial	Sunburst (Single Door or Double Door 2x)
Skyline Blue X	X	Sherwood	Square
			Dakota

Note: Since the possibilities in the GADCO Mix 'N Match System are endless, those shown are only a sampling of what accent colors can do for a garage door.

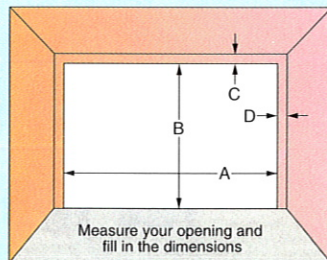
How to measure for your new garage door.

(Measure your opening and fill in the dimensions.)

A. Width _____ Ft. _____ In.

B. Height _____ Ft. _____ In.

You must have at least eleven inches (11") headroom (C) to install your new garage door. Sideroom (D) requires four inches (4"). If you plan to use an electric operator, the headroom increases approximately three inches (3") depending on manufacturer. Door must be ordered prepared for operator, if operator is to be installed.



Available from:



Quality Garage Doors

General American Door Company



<http://www.gadco.com>

