



MAGLIN™

T 800-716-5506
 F 877-260-9393
 WWW.MAGLIN.COM
 SALES@MAGLIN.COM

MLWR200-20

MATERIALS: The trash container frame is constructed using heavy duty steel flat bar. A 20 imperial gallon commercial grade plastic liner and funnel lid are provided.

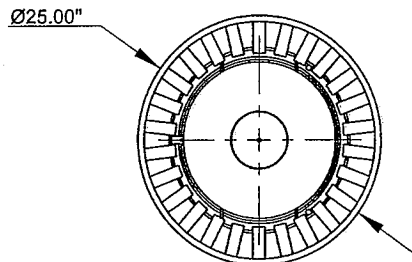
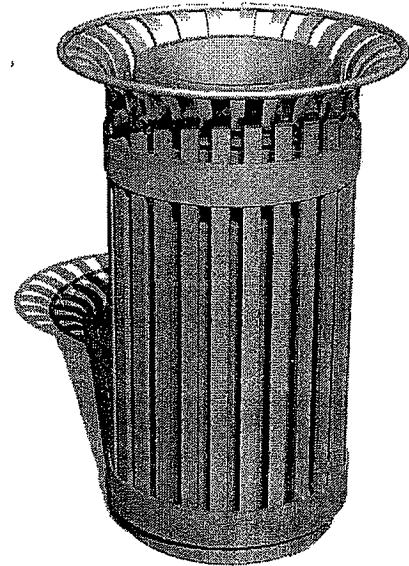
FINISH: All steel components are protected with E-Coat rust proofing. The Maglin Powdercoat System provides a durable finish on all metal surfaces.

INSTALLATION: The trash container is delivered pre-assembled. Holes (0.5") are provided in each mounting foot for securing to base.

TO SPECIFY: Select MLWR200-20
 Choose:
 - Powdercoat Color

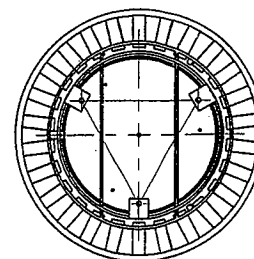
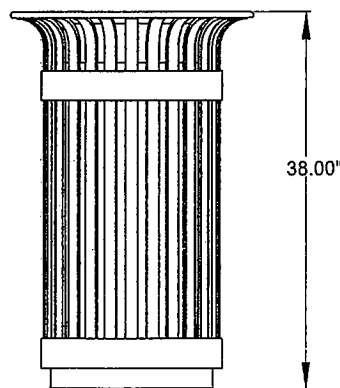
OPTIONS:

- Dome Lid (MDL-20)
- Ash Tray - Side Mount (MAT100)
- Ash Receptacle - Side Mount (MLAU101)
- Dome with self closing door (MDLD-20)
- Side Opening - MLWR200S-20



DIMENSIONS:

Height: 38.00" (96.5 cm)
 Diameter: 25.00" (63.5 cm)
 Weight: 170lbs (77kg)
 Liner Capacity: 24.0 US Gallons
 20.0 Imperial Gallons
 91.0 Litres



MOUNTING FEET

-All drawings, specifications, design and details on this page remain the property of Maglin Site Furniture Inc. and may not be used without Maglin authorization.
 -Details and specifications may vary due to continuing improvements of our products.

* MAGLIN is a registered trade mark of Maglin Site Furniture Inc.

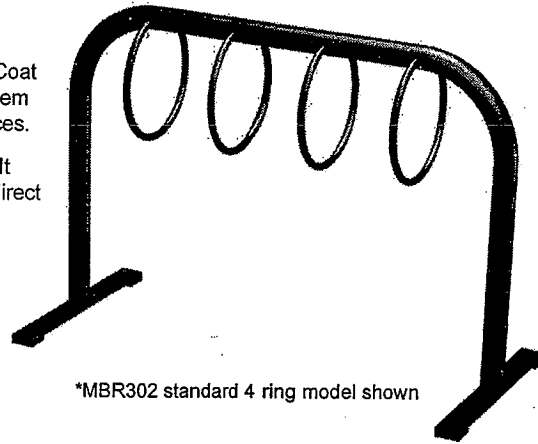


MAGLIN™

T 800-716-5506
 F 877-260-9393
 WWW.MAGLIN.COM
 SALES@MAGLIN.COM

MBR300 SERIES

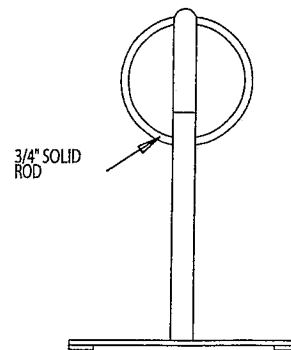
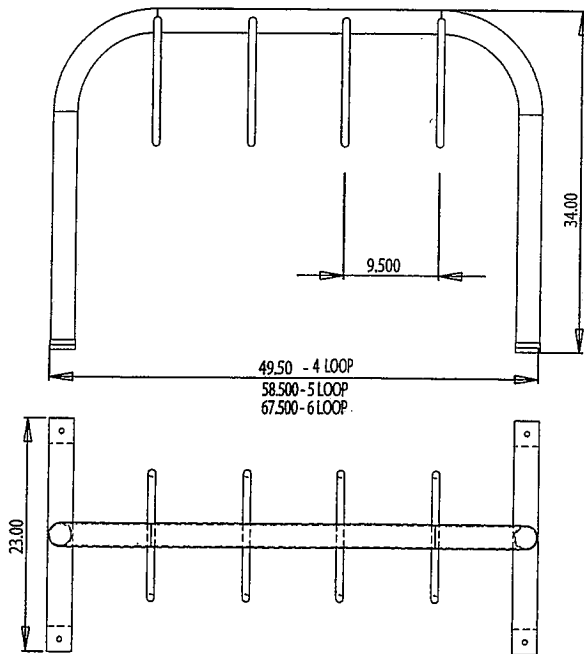
- MATERIALS:** All parts are made from solid steel rod and H.S. steel tube.
- FINISH:** All steel components are protected with E-Coat rust proofing. The Maglin Powdercoat System provides a durable finish on all metal surfaces.
- INSTALLATION:** The bike rack is delivered pre-assembled. It is available with either a surface mount or direct burial installation option.
- TO SPECIFY:** Select: MBR300 Series
 Choose:
 - Powdercoat Color
 - Base Type
 - Direct Burial (MBR301)
 - Surface Mount (MBR302)



*MBR302 standard 4 ring model shown

- OPTIONS:** - Number of Rings (2 - 7)

- COMPLEMENTARY PRODUCTS:**
 - MLB590M
 - MTB100 Series
 - MLWR200-32



- DIMENSIONS:**
 Height: 34.00" (86.4 cm)
 Width: 49.00" (124.5 cm)
 Depth: 23.00" (58.4 cm)
 Weight: 75lbs (34.0kg)

-All drawings, specifications, design and details on this page remain the property of Maglin Site Furniture Inc. and may not be used without Maglin authorization.
 -Details and specifications may vary due to continuing improvements of our products.

* MAGLIN is a registered trade mark of Maglin Site Furniture Inc.



MAGLIN™

T 800-716-5506
 F 877-260-9393
 WWW.MAGLIN.COM
 SALES@MAGLIN.COM

MBR200 SERIES

MATERIALS: The bike rack is constructed using galvanized H.S. steel tube and an aluminum casting. Custom raised lettering is available.

FINISH: The bike rack uses a galvanized post with a natural finish on the aluminum ring casting. The Maglin Powdercoat finish is also available.

INSTALLATION: The bike rack is delivered pre-assembled. It is available with either a surface mount or direct burial installation option.

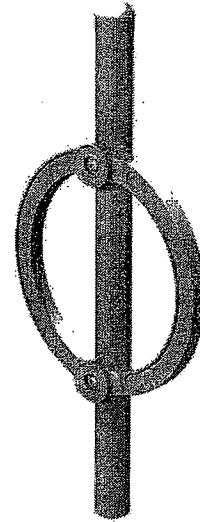
TO SPECIFY: Select MBR200 Series
 Choose: Finish and Base Type

- Powdercoat Color
 - Direct Burial (MBR201)
 - Surface Mount (MBR202)
- Natural Aluminum/Galvanized Finish
 - Direct Burial (MBR201G)
 - Surface Mount (MBR202G)

OPTIONS: - Personalization

COMPLEMENTARY PRODUCTS:

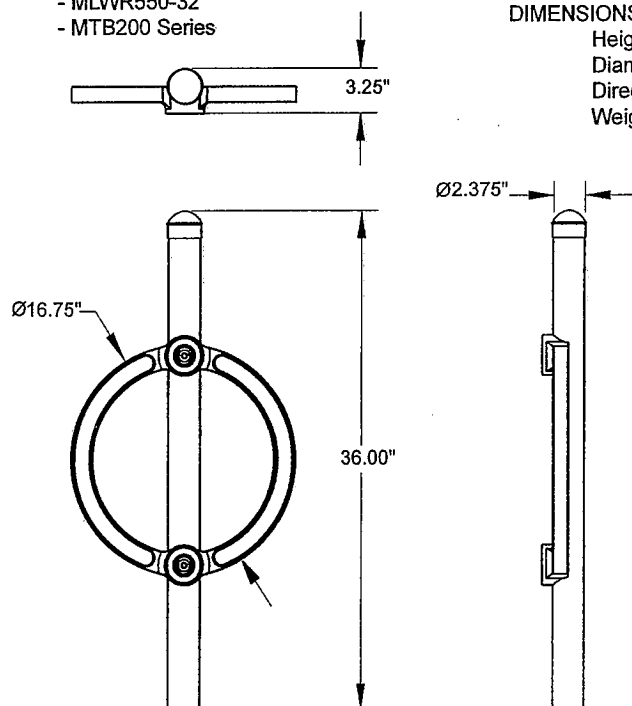
- MLB320W
- MLWR550-32
- MTB200 Series



*MBR201 direct burial model shown.

DIMENSIONS:

| | |
|----------------|------------------------------|
| Height: | 36.00" (91.44 cm) |
| Diameter: | 16.75" (42.5 cm) |
| Direct Burial: | 18.00" (45.7 cm) Below Grade |
| Weight: | 19.0lbs (8.6kg) |



-All drawings, specifications, design and details on this page remain the property of Maglin Site Furniture Inc. and may not be used without Maglin authorization.
 -Details and specifications may vary due to continuing improvements of our products.

*MAGLIN is a registered trade mark of Maglin Site Furniture Inc.



MAGLIN™

T 800-716-5506
 F 877-260-9393
 WWW.MAGLIN.COM
 SALES@MAGLIN.COM

MLB590M

MATERIALS: Bench ends are made from solid cast aluminum. The seat employs flat bar straps and H.S. steel tube.

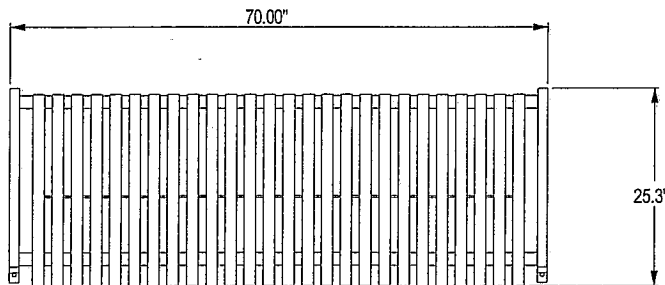
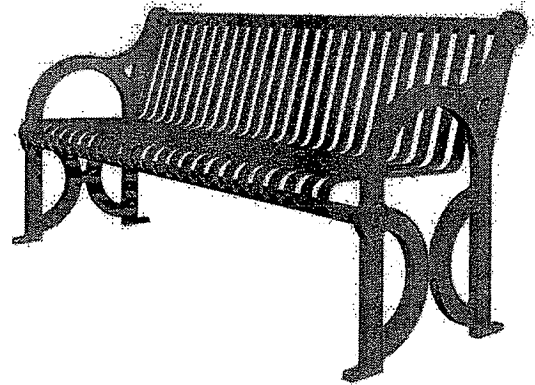
FINISH: All steel components are protected with E-Coat rust proofing. The Maglin Powdercoat System provides a durable finish on all metal surfaces.

INSTALLATION: The bench is delivered pre-assembled. Holes (0.5") are provided in each foot for securing to base.

TO SPECIFY: Select MLB590M
 Choose:
 - Powdercoat Color

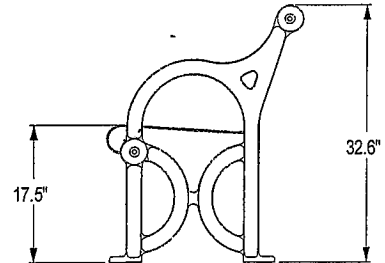
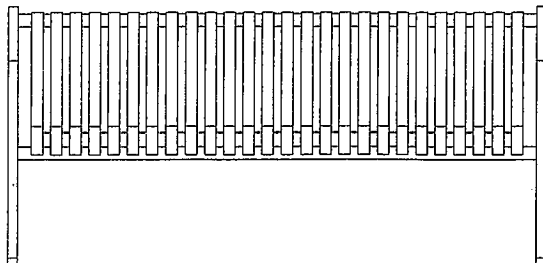
OPTIONS: - Center Arm (MCA590)
 - Personalization

COMPLEMENTARY PRODUCTS:
 - MLB590BM
 - MLWR550-32
 - MLAU550



DIMENSIONS:

- Height: 32.6" (82.8 cm)
- Length: 70.00" (177.8 cm)
- Depth: 25.3" (64.3 cm)
- Seat: 17.50" (44.5 cm)
- Weight: 120lbs (55kg)



-All drawings, specifications, design and details on this page remain the property of Maglin Site Furniture Inc. and may not be used without Maglin authorization.
 -Details and specifications may vary due to continuing improvements of our products.

*MAGLIN is a registered trade mark of Maglin Site Furniture Inc.