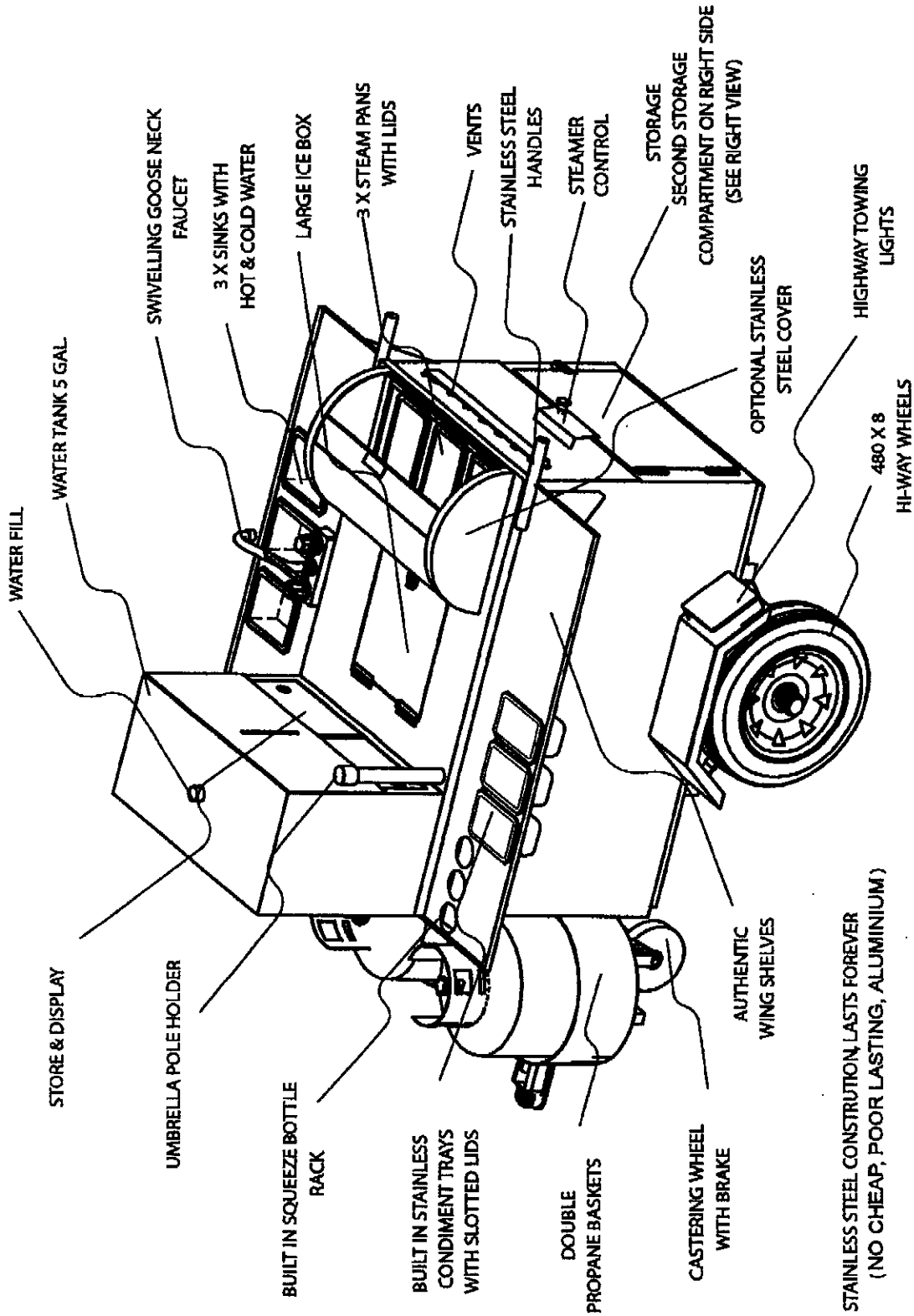


1. COUNTER
2. POTABLE WATER HOLDING TANK
3. WASTE WATER HOLDING TANK
(UNDERNEATH UNIT - 15% LARGER)
4. COOLER
5. 3X STEAMER PANS WITH LIDS
6. GRILLE
7. CONDIMENT TRAYS - SELF SERVE
8. THREE-COMPARTMENT SINKS
9. HAND SINK
10. PROPANE TANKS

3D VIEW



STAINLESS STEEL CONSTRUCTION LASTS FOREVER
(NO CHEAP, POOR LASTING, ALUMINIUM)