

NO.	DATE	REVISION

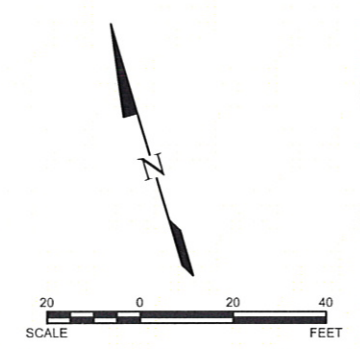
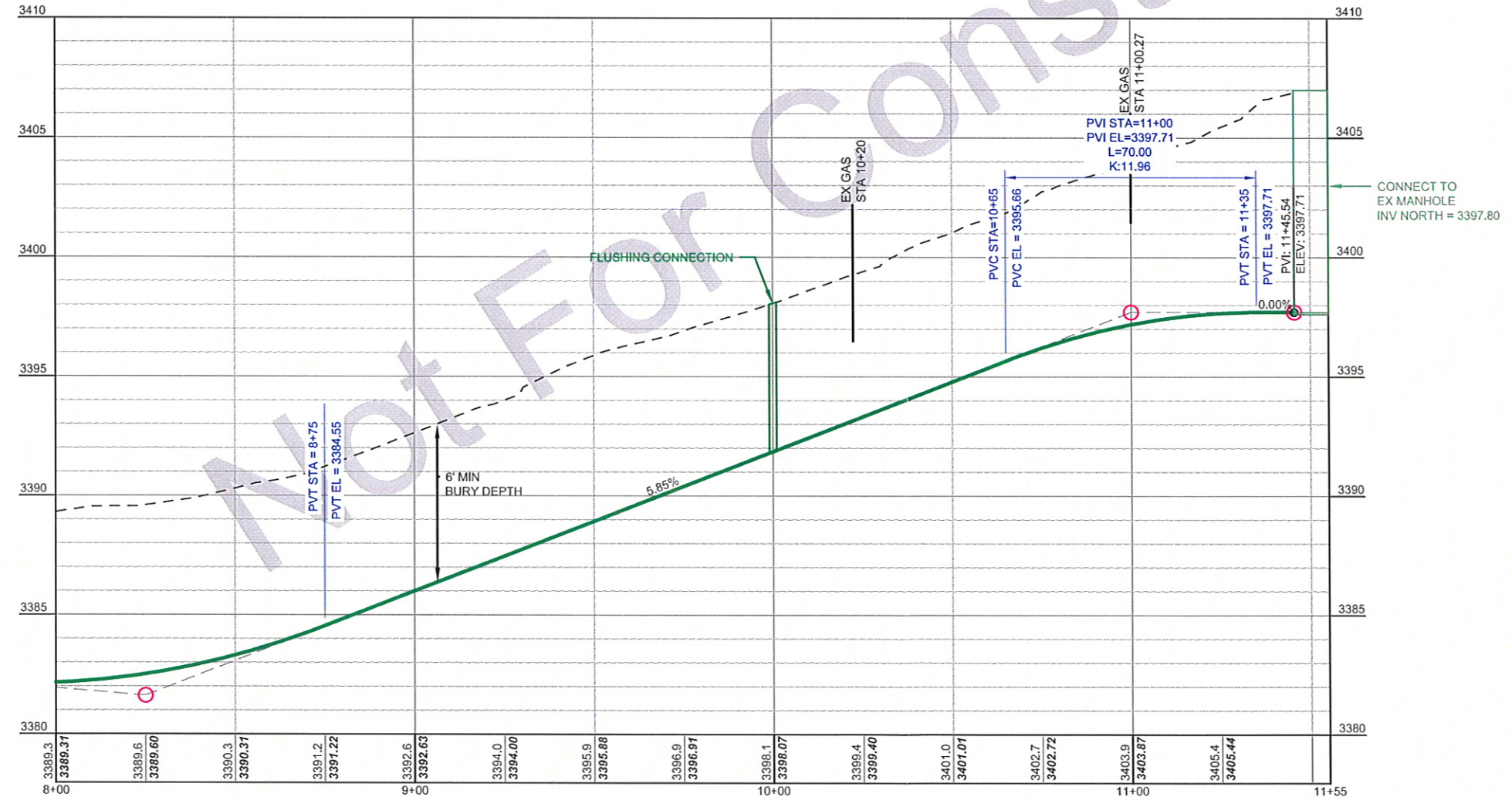
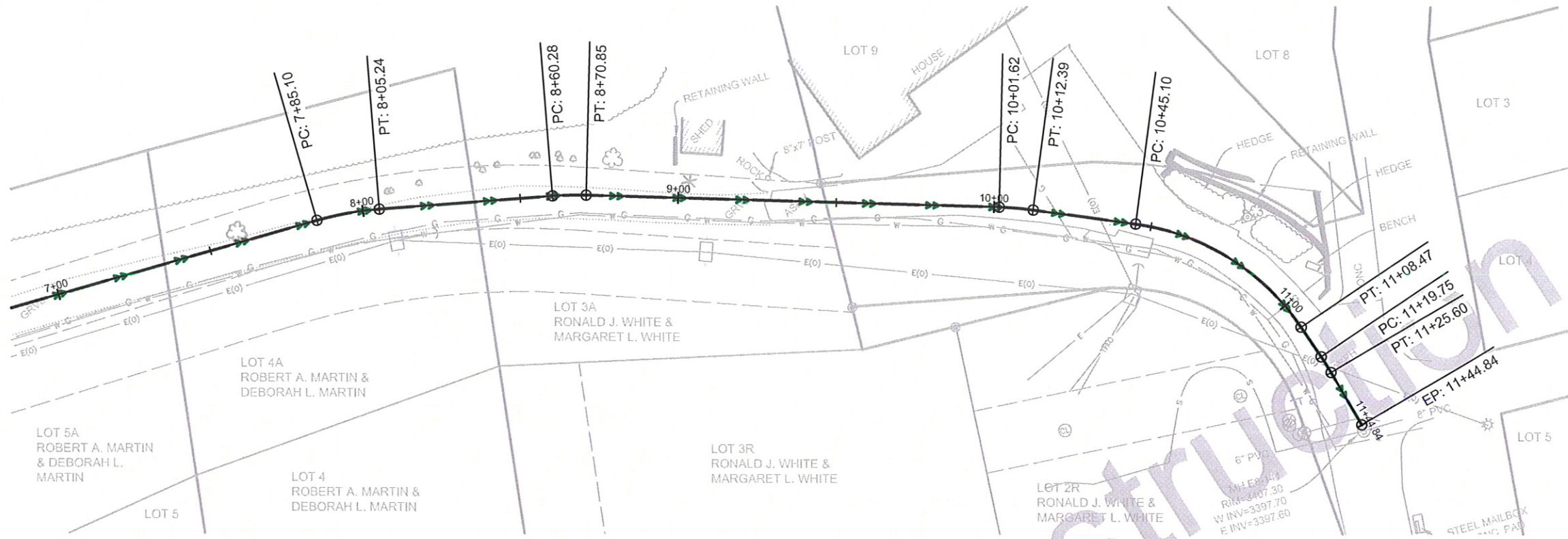
DRAFTED
KHW/SCW

REVIEWED
DRF

PROJECT NUMBER
10614105

ISSUE DATE
6/10/2014

CALLE BAJA STREET SEWER IMPROVEMENTS
 CALLE BAJA HOMEOWNERS
 RAPID CITY, SOUTH DAKOTA
PLAN & PROFILE - CALLE BAJA STREET



NO.	DATE	REVISION

DRAFTED: KHW/SCW
 REVIEWED: DRF
 PROJECT NUMBER: 10614105
 ISSUE DATE: 6/10/2014

CALLE BAJA STREET SEWER IMPROVEMENTS
 CALLE BAJA HOMEOWNERS
 RAPID CITY, SOUTH DAKOTA
PLAN & PROFILE - CALLE BAJA STREET



REVISION
DATE
NO.

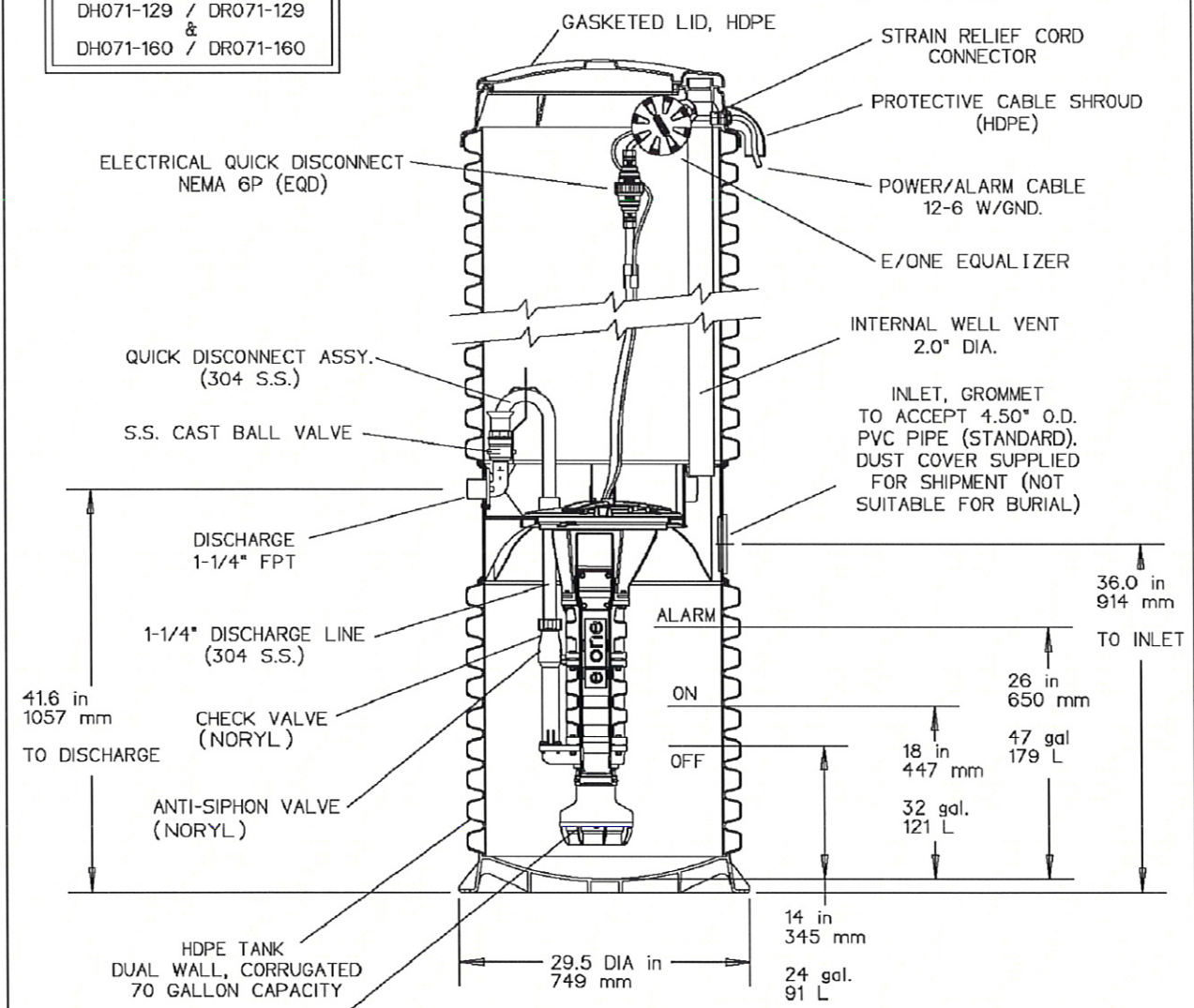
DRAFTED	KHW/SCW
REVIEWED	DRF
PROJECT NUMBER	10614105
ISSUE DATE	6/10/2014

CALLE BAJA STREET SEWER IMPROVEMENTS
 CALLE BAJA HOMEOWNERS
 RAPID CITY, SOUTH DAKOTA
PROJECT DETAILS

SHEET
11.5

OPTIONS : **DH071** (HARD WIRED LEVEL CONTROLS)
 DR071 (WIRELESS LEVEL CONTROLS)

FIELD JOINT REQUIRED FOR MODELS
 DH071-129 / DR071-129
 &
 DH071-160 / DR071-160



SEMI-POSITIVE DISPLACEMENT TYPE PUMP, EACH DIRECTLY DRIVEN BY A 1 HP MOTOR

CONCRETE BALLAST MAY BE REQUIRED SEE INSTALLATION INSTRUCTION FOR DETAILS

NOTE: DIMENSIONS ARE FOR REF ONLY



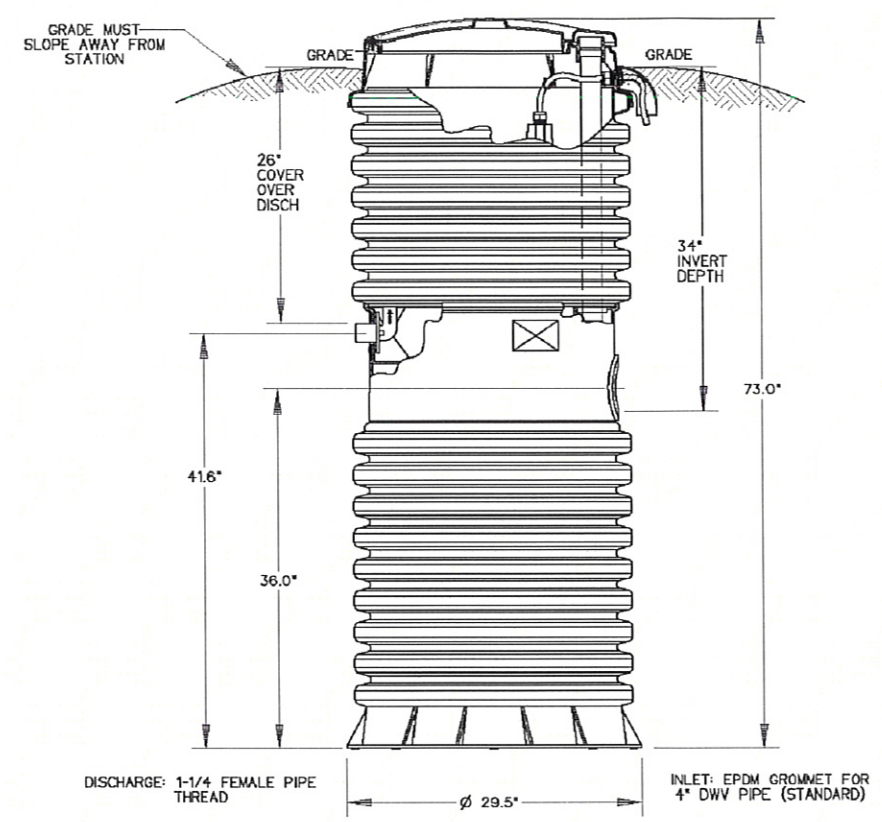
AD	CH	10/20/10	D	
DR BY	CHK'D	DATE	ISSUE	SCALE



MODEL DH071 / DR071
 DETAIL SHEET

NA0050P02

OPTIONS : **DH071-74** (HARD WIRED LEVEL CONTROLS)
 DR071-74 (WIRELESS LEVEL CONTROLS)



CONCRETE BALLAST MAY BE REQUIRED SEE INSTALLATION INSTRUCTIONS FOR DETAILS

NOTE: DIMENSIONS ARE FOR REF ONLY



AD	CAH	07/12/07	B	1/16
DR BY	CHK'D	DATE	ISSUE	SCALE



MODEL DH071-74 / DR071-74

NA0050P05