

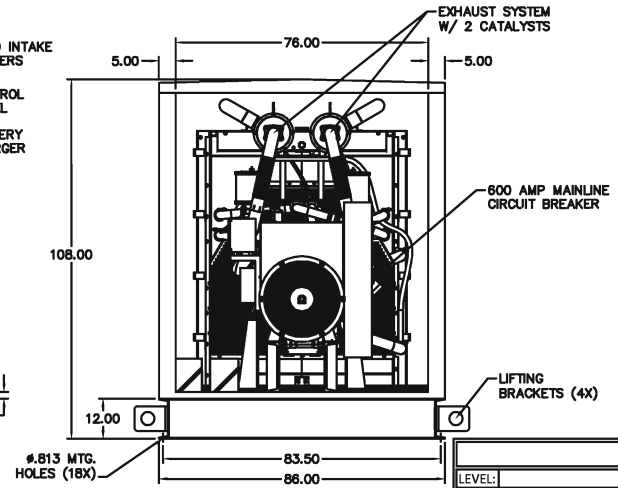
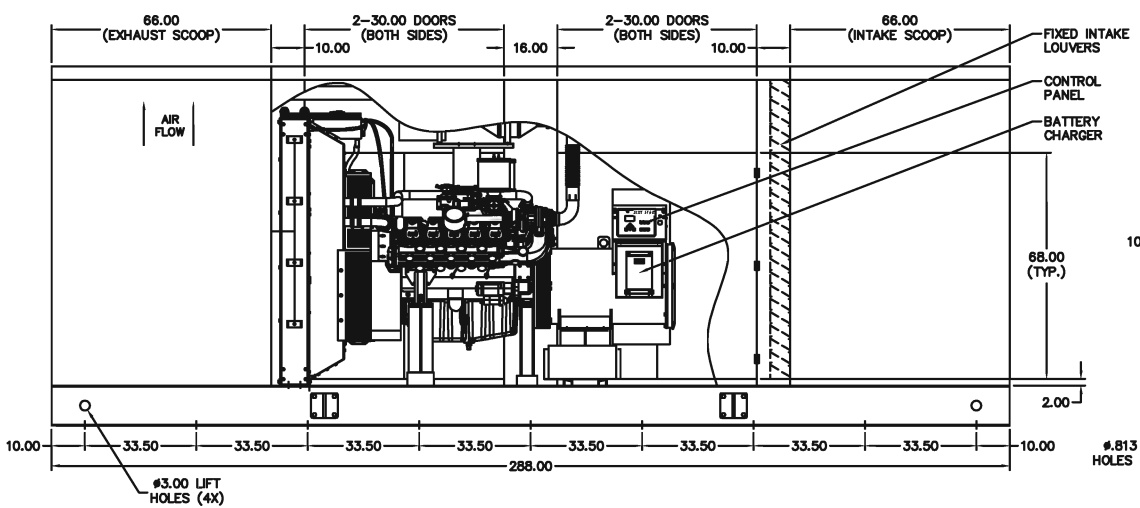
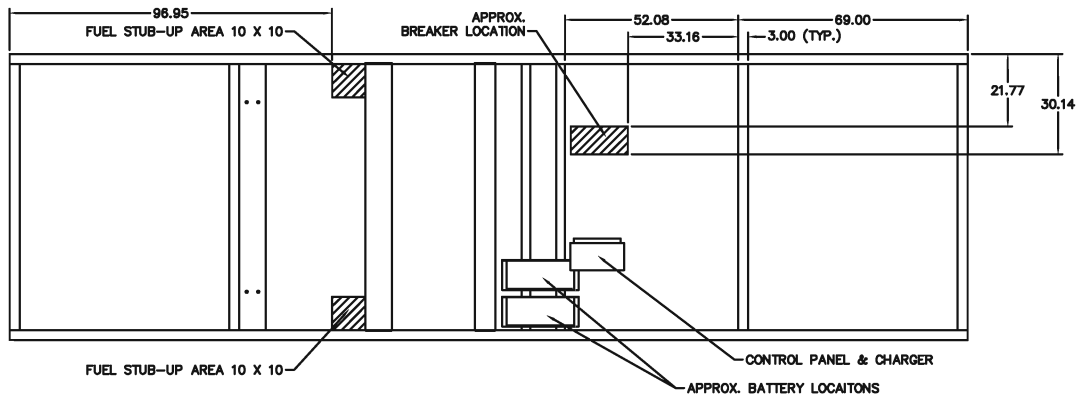
APPROXIMATE WEIGHT: 2100LBS W/STD LOUVER

- NOTES:
1. MATERIAL: 14 GA
 2. 1.00 PITCHED ROOF
 3. USE LOUVER P/N 11206
 4. FOAM KIT P/N 11345
 5. END VIEWS SHOWN LESS SCOOPS

BLUESTAR

POWER SYSTEMS

ENG: NG 21.9L	GEN: 430/570FR
P/N: IN11344	FOR NG 400KW
DATE: 9-25-09	BY: JAK TO SCALE



- NOTES:
1. BREAKER LOCATION IS APPROXIMATE
 2. FUEL CONNECTION 2NPT
 3. EXHAUST ROUTED THROUGH SCOOP

REVISIONS:			
LEVEL:	DESCRIPTION:	DATE:	BY:
NA	NA	NA	NA

BLUE STAR

Power Systems Inc.

ENG: D183L	GEN: 433
RAD: W/ ENG	BASE: 2-0148 HSG: SAE-032
DATE: 12-20-11	BY: KAP DRAWN TO SCALE

11PD041

