



CITY OF RAPID CITY

RAPID CITY, SOUTH DAKOTA 57701-5035

59284
5-23-11
\$100.00

Finance Office

300 Sixth Street
Telephone: (605) 394-4143
FAX: (605) 394-2232
Web: www.rcgov.org

APPLICATION FOR A SIDEWALK VENDING LICENSE

ANNUAL LICENSE EFFECTIVE THROUGH DECEMBER 31ST - ANNUAL FEE: \$100.00

Name Richard + Rachelle Watson
Home Address 923 South St Rapid City SD 57701
Home Phone 605 791-3616
Cell Phone 605 431-8137

Business Name _____
Business Mailing Address 923 South St Rapid City SD 57701
Business Phone 605 791-3616
Type of Business Hot Dog Cart

Means Used to Conduct Business: (i.e. description of mobile container/device used)
Diagrams Included Description Included

If the business is a Partnership or Corporation, please list the names and addresses of each partner or officer:

Name	Address

Previous Experience in the Business (New Applicants Only)
Bakery Manager Albertsons + Family Thrift
25 years Retail Sales Manager Sears Optical

A valid copy of all necessary permits required by State and County health authorities must be submitted with this application.

I, Richard S Watson, hereby certify that the business listed above is operated in compliance with all applicable requirements of the City Ordinance and State Law.

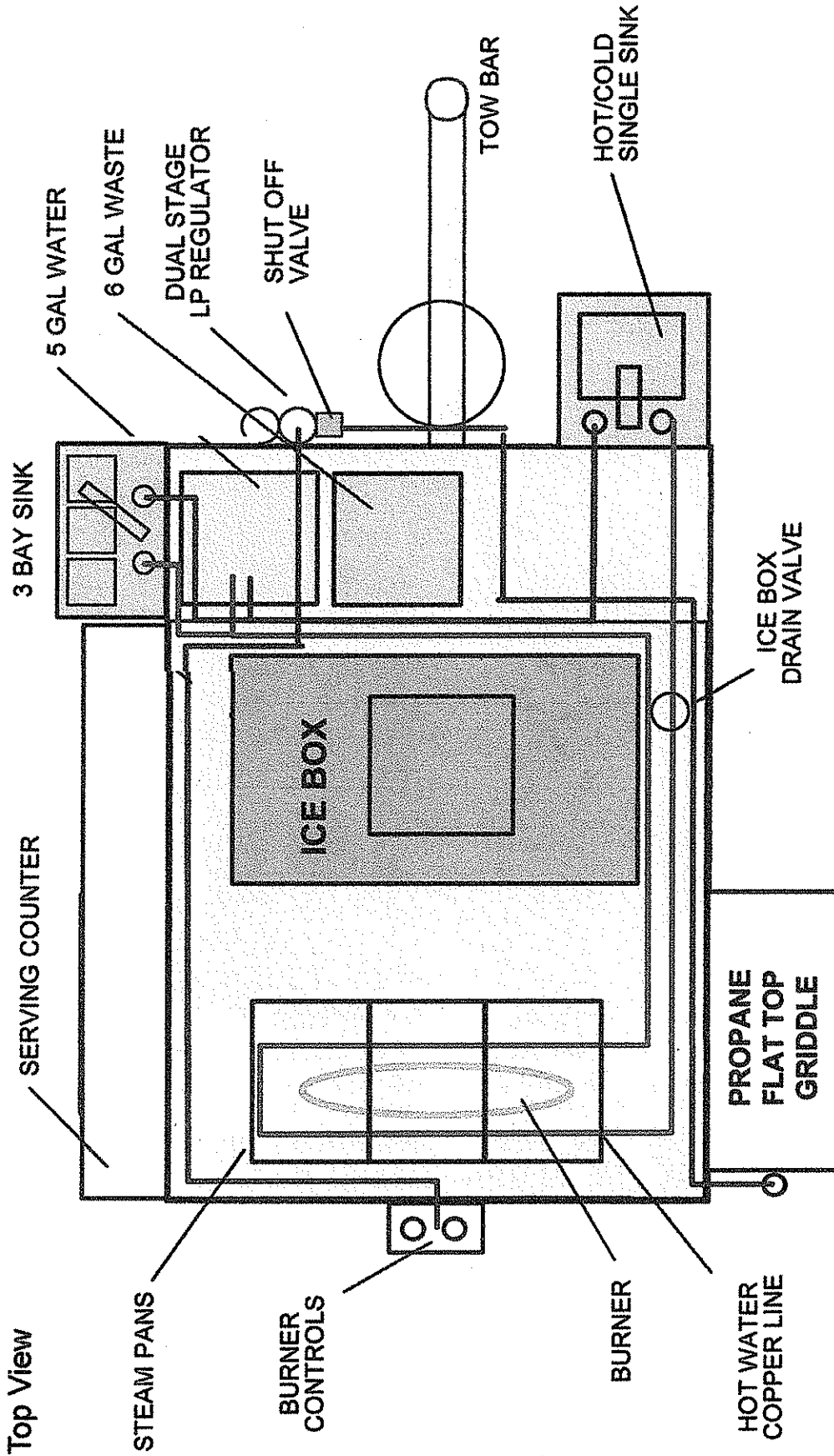
Authorized Signature: Richard S Watson Date: 5-23-2011

The Malibu

Hot Dog Cart

American Dream Hot Dog Carts

Home of the Ez-Lease - Call Today! 1.800.408.1802



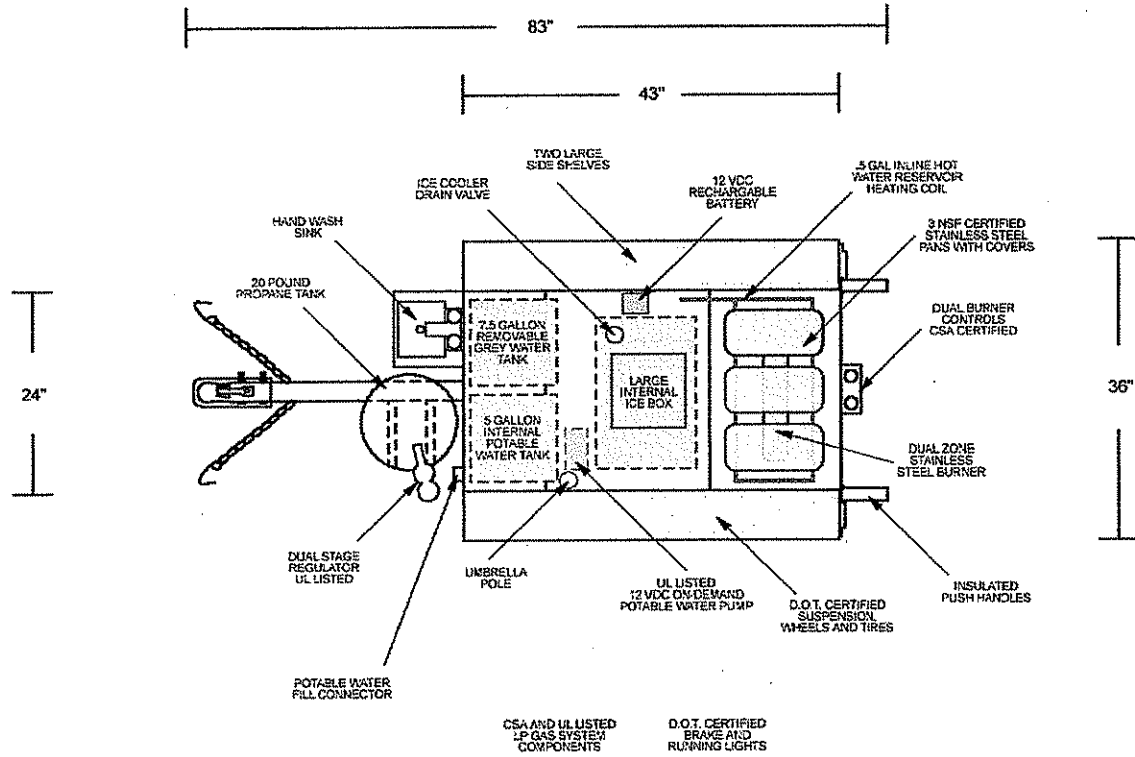
Specifications subject to change without notice.
Call to verify critical specifications if required.

AmericanDreamHotDogCarts.com

The Malibu
Hot Dog Cart

American Dream Hot Dog Carts
Home of the Ez-Lease - Call Today! **1.800.408.1802**

Top View



AmericanDreamHotDogCarts.com

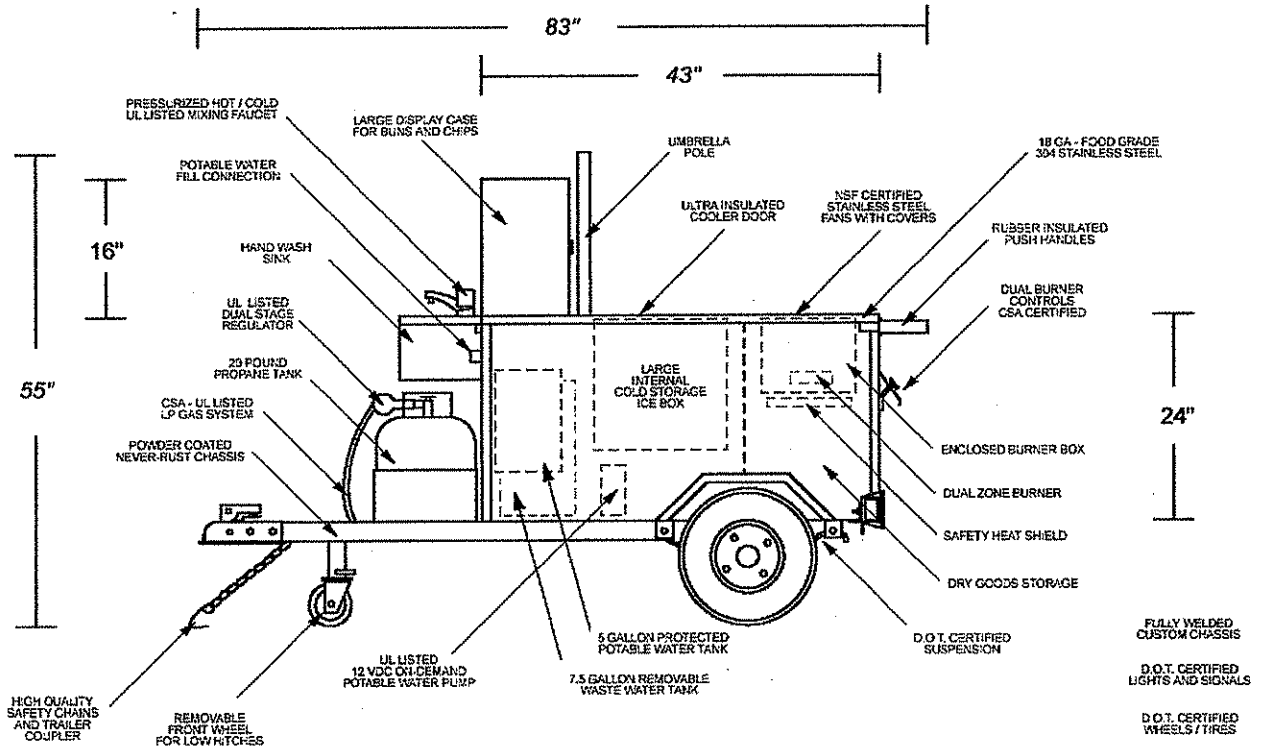
Specifications subject to change without notice.
Call to verify critical specifications if required.

The Malibu

Hot Dog Cart

American Dream Hot Dog Carts
Home of the Ez-Lease - Call Today! **1.800.408.1802**

Left Side View



AmericanDreamHotDogCarts.com

Specifications subject to change without notice.
Call to verify critical specifications if required.

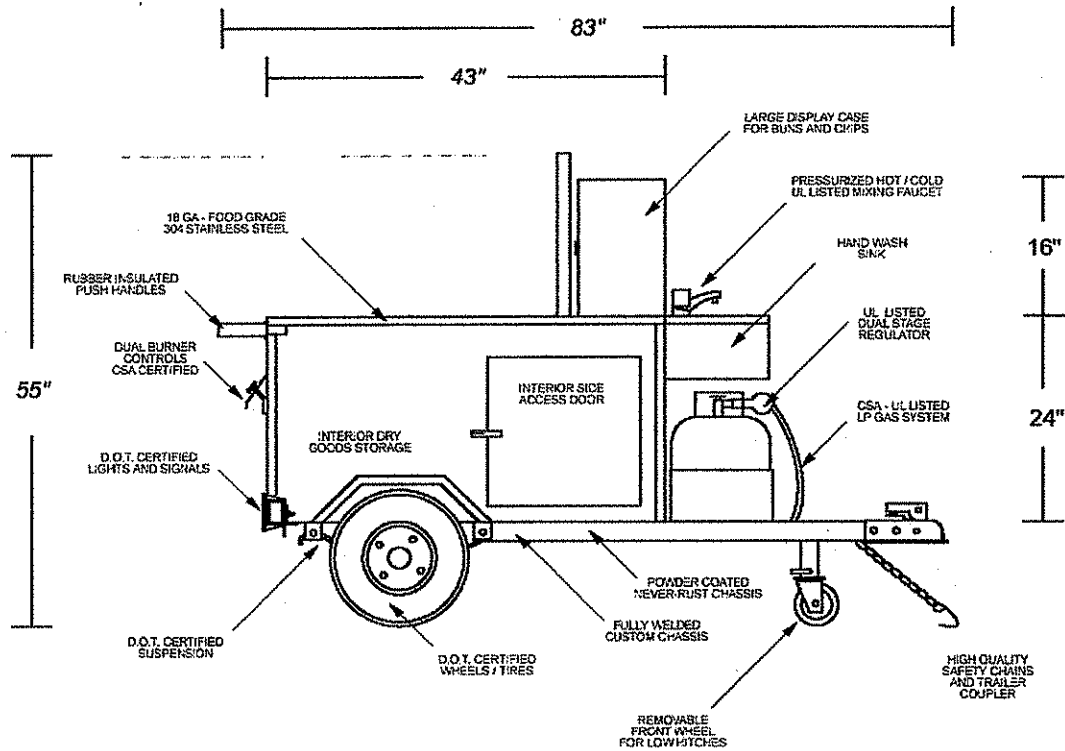
The Malibu

Hot Dog Cart

American Dream Hot Dog Carts

Home of the Ez-Lease - Call Today! 1.800.408.1802

Right Side View



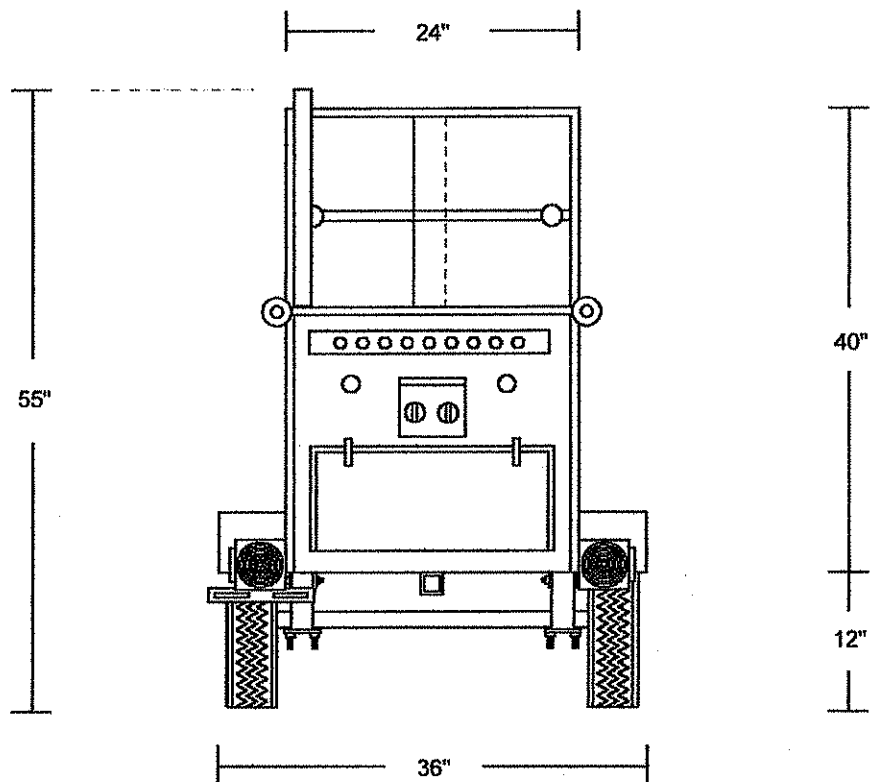
AmericanDreamHotDogCarts.com

Specifications subject to change without notice.
Call to verify critical specifications if required.

The Malibu
Hot Dog Cart

American Dream Hot Dog Carts
Home of the Ez-Lease - Call Today! **1.800.408.1802**

Rear View



AmericanDreamHotDogCarts.com

Specifications subject to change without notice.
Call to verify critical specifications if required.

Add to Favorites

Home Hot Dog Carts Ordering Support Contact Us

Photo Gallery | Drawings | Options | Carts Home



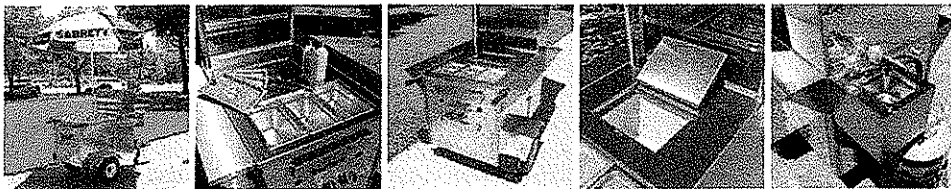
2011 MALIBU Hot Dog Cart Features

\$2,899.00 USD Base Price

The MALIBU Hot Dog Cart is a smaller version of our VENTURA Hot Dog Cart that is designed for more maneuverability. The MALIBU Hot Dog Stand features a fully welded steel frame with a body constructed of high quality, **Food Grade 304 stainless steel**, always 18 gauge or heavier (don't be fooled, bigger numbers mean thinner material). The 2011 Malibu is now also available in beautiful polished aluminum Diamond Plate. Learn [how we build OUR hot dog carts](#).



The integrated design of the MALIBU Hot Dog Cart includes a built-in can cooler which keeps your drinks and product cold all day. Three steaming and heating pans are standard on the MALIBU HotDog Cart and you can even add a barbeque grill for \$ USD or a deluxe stainless steel grill for \$600.00 USD.



Special Features Of The 2011 MALIBU Hot Dog Cart Include:

This Cart Includes These Items:

- Fully pressurized water system with a top quality Genuine SHURflo™ water pump
- Long lasting, rechargable 12vdc battery for the SHURflo™ water pump
- 6.5' heavy duty umbrella, assorted colors available
- Quality quick change dual-stage propane regulator
- Start up kit inc: condiment dispensers, tongs and manuals
- Full set of restaurant quality stainless steel steam pans with lids

- Full one year warranty protects your investment
- Certificate of Ownership (CO) for easy DMV registration
- 1-800 Toll-Free customer support, seven days a week

Chassis And Frame

- Welded tubular steel frame (not cheap store bought bolt together)
- Frame and suspension components treated with rust resistant protective coating
- 18 Gauge, 304 Stainless Steel body with a brushed #4 finish
- Rolled edges on all access doors for safety, cut and scrape free operation
- 1 7/8" Secure-Lock™ towing ball coupler standard (2" special order available)
- Dual towing chains with spring latches for extra safety and security
- High visibility tail light signal system (flat-four trailer connector included)
- Lighted license plate mounting bracket
- D.O.T. certified lights, wheels, tires, fenders, ball hitch and safety chains

Suspension System

- 1/2 Ton triple leaf spring suspension system for easy towing
- D.O.T. certified tires and wheels for safe towing at highway speeds
- Heavy duty wheel bearings provide years of reliable service
- Standard size pneumatic trailer tires for easy replacement (8.0" id x 4.80")

Sink And Water System

- Premium pressurized Hot and Cold running water system (no gravity dribble)
- Hot and Cold running water; our system provides **REAL water pressure!**
- Top Quality SHURflo™ brand 12 vdc pressurized on-demand water pump
- Rechargeable 12 vdc battery for extended use between charges
- Stainless steel sink with dual control faucet
- 5 gallon fresh water holding tank and 7.5 gallon waste water tank
- Easy to use, external access fresh water filling method
- Optional sinks as needed for your local health codes (1, 2, 3 or 4)
- Solid Copper inner-heater element for hot water system
- Pre-Pressurized and leak tested for quality assurance
- SHURflo™ water pump is NSF Certified for potable water service
- All components meet or exceed related NSF Standards and specifications

*Seperate Sink
Hot and Cold
+ 3 Compartments*

Cold Box Cooler

- 4 cubic-foot insulated cold storage compartment (drinks and meat storage)
- Microthene Polyethylene insulation material for maximum ice life
- Large insulated access door with 100% stainless steel hardware
- External easy to use drain valve for melted ice water and cleaning
- All components meet or exceed related NSF Standards and specifications

Burner System

- All propane systems are complete with safety controls and regulators
- Dual stainless steel propane burners with individual flame adjustment
- Dual control knobs with auto-locking safety valves (safety first!)
- Deluxe two-stage propane regulator and connector for quick and easy tank changes
- All components meet or exceed related NSF Standards and specifications

Steam Table Area

- 3 heavy duty, restaurant quality stainless steel heating/steaming pans
- 3 deluxe lids with finger grab handles for convenient usage
- Two 1/4 x 6" deep steamer pans
- One 1/4 x 4" holding/steam pan
- Hinged pan lids are available as an option

Dry Storage

- 2 Shelf Plexi-Glass™ display case for chips and buns
- 2 large doors to access interior dry storage compartment
- 100% stainless steel hardware, resists corrosion for long term operation
- 10 cubic-feet of under the counter storage (inside of cart)
- Vibration proof cam style draw locks on all doors

IMPORTANT NOTICE: It is the **responsibility of the customer** to be sure that the cart that you order and purchase from DreamMaker Hot Dog Carts meets all of the local health code requirements for your intended location. Local health codes can vary greatly from city to city, county to county, and state to state. There is a lot of varying information on the internet

regarding local health code requirements. Be wary and do your research carefully. Please contact your local health department directly for their specific requirements. Further, we would recommend that you actually take the time to visit their office in person (with the cart drawings) to be sure that you are understanding the information provided by them.

DreamMaker Hot Dog Carts® Include These Additional Features:



ONE YEAR WARRANTY
Our one year warranty covers all parts and labor. If you have a problem with your cart you can be assured that we will be ready to resolve it. We take great pride in the equipment that we design and build, and we're going to keep you on the road and in business!



1-800 SUPPORT
With 20 years of professional experience in the hot dog cart business, there is rarely a question or a problem that we cannot answer immediately. We can assist with everything from a hardware problem, to licensing and health department issues.



CERTIFICATE OF OWNERSHIP
Your new hot dog cart comes with a certificate of ownership recognized by all Department of Motor Vehicles so that tagging and registering your new cart in your state will be a breeze. It identifies the official owner, the model and gross weight.



OWNERS MANUAL
We include a complete owner's manual for your new food vending equipment. The manual contains operating instructions, safety features, a maintenance schedule, and much more. There are many important tips covered to help you operate your cart safely and efficiently.



METAL STAMPED SERIAL NUMBERS
The serial numbers on our vending carts are stamped onto metal identification plates and permanently affixed to the equipment in a convenient location for ease of identification during DMV inspections.



CRATING AND LOADING
Before crating and shipping our carts we complete a full 40 point inspection. Every detail is checked for quality. Only then do we have our carts professionally secured and crated. Crates are carefully loaded onto a truck for damage free shipment direct to you.

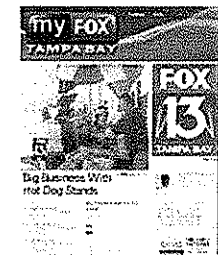
[Photo Gallery](#) | [Drawings](#) | [Options](#) | [Carts Home](#)

DreamMaker Hot Dog Carts® is a trademark of American Dream Hot Dog Carts, Inc. and is registered with the U.S. Patent and Trademark Office. All images, drawings and content are protected by International Copyright law and shall not be re-published without express written consent. All trademarks are property of their respective owners. Patents Pending.

[Home](#) | [Hot Dog Carts](#) | [Privacy Policy](#) | [Contact Us](#)



Like us on
facebook
DreamMaker Hot Dog Carts on Facebook



DreamMaker Hot Dog Carts featured on Fox 13 News with Lloyd Sowers.
[Watch the TV News Story](#)



American Dream Hot Dog Carts featured in front page story of the Wall Street Journal.
[Read the Article](#)



DreamMaker Hot Dog Carts featured in front page story of the Tampa Bay Business Journal.
[Read the Article](#)



EXAM FORM NO. 4376
CERTIFICATE NO. 6063077

ServSafe® Certification

TO **ROCHELLE A WATSON**

for successfully completing the standards set forth by the National Restaurant Association Educational Foundation for the ServSafe® Food Protection Manager Certification Examination, which is accredited by the American National Standards Institute (ANSI)-Conference for Food Protection (CFP).

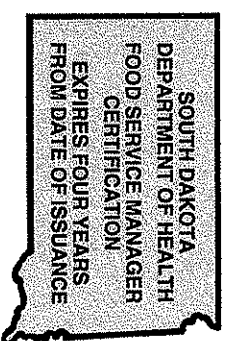
8/19/2008

DATE OF EXAMINATION

8/19/2013 ~~Aug 10 2012~~

DATE OF EXPIRATION

Local laws apply. Check with your local regulatory agency for recertification requirements.



#0655

National Restaurant Association
EDUCATIONAL FOUNDATION

Mary M. Adolf

Mary M. Adolf
President & COO, Products and Services Division
National Restaurant Association Solutions



615 East 4th Street | Pierre, SD 57501 P605.773.4945 F605.773.6667



Division of Health Systems Development and Regulation
Health Protection
Licensure and Certification
Public Health Preparedness and Response
Rural Health

May 16, 2011

Richard and Rochelle Watson
923 South St
Rapid City SD 57701

RE: RSW LLC – Mobile Food Service

Dear Mr. and Mrs. Watson:

The plans you submitted for the above mobile food service unit have been reviewed for compliance with the SD Health Department Administrative Rule's 44:02:07 Food Service Code. Based on the plans you provided and the discussion you had with us at our office today, these plans can be considered approved for operation. Please notify this office if any changes are made to the approved plans.

Before the food service license is issued, on onsite inspection of the mobile food service unit will be conducted to verify that all areas are in compliance.

If you have any questions, please contact our office.

Sincerely,

A handwritten signature in black ink that reads 'John Osburn'.

John Osburn
Health Facilities Surveyor
Office of Health Protection

RICHARD S WATSON
RSW SALES
923 South St
Rapid City, SD 57701

May 18, 2011

Dear RICHARD S WATSON

Below is your tax license. It is non-transferable and shall be valid only for the person in whose name it is issued. The license is for the transaction of business at the place designated on the license. The license is to be conspicuously displayed at the place of business.

If you are a sole proprietor or general partnership and your last name is not contained in the name of your business you need to file your business name and ownership information with the South Dakota Secretary of State. You can do this online at: www.sdsos.gov. Or you can file a paper form with the Register of Deeds in each county where your business is located.

For more information, contact the Department of Revenue & Regulation's toll-free center at 1-800-829-9188 weekdays from 8:00 am to 5:00 pm Central Time or e-mail us at bustax@state.sd.us. Thank you.



www.state.sd.us/drr

Having made proper application therefore, and upon compliance with all applicable laws and regulations of the state of South Dakota, this license is hereby issued to the below named. This license remains the property of the state of South Dakota and while in possession of the person to whom issued, entitles the licensee to transact whatever business or activity is specified on this license, until this license expires or is cancelled.

ISSUE DATE: 05/17/2011

EXPIRATION DATE:

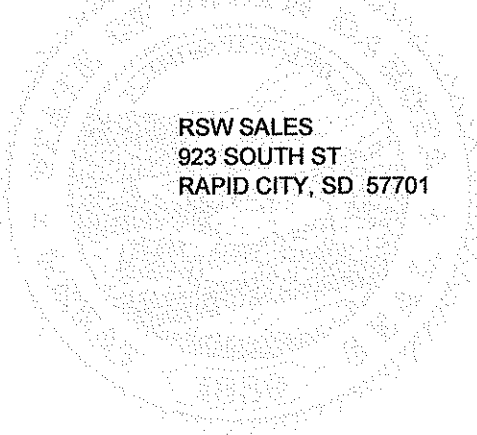
LICENSE NUMBER: 1024-3919-ST

LICENSE TYPE: Sales Tax

ISSUED TO:

RICHARD S WATSON
923 South St
Rapid City, SD 57701

RSW SALES
923 SOUTH ST
RAPID CITY, SD 57701



A handwritten signature in black ink that reads "David Wiest". The signature is written in a cursive, flowing style.

David Wiest
Secretary of Revenue & Regulation

NON-TRANSFERABLE