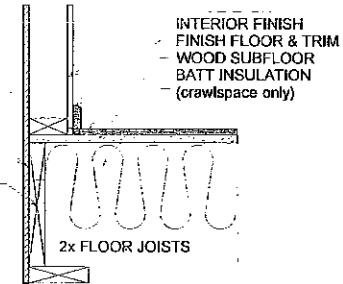
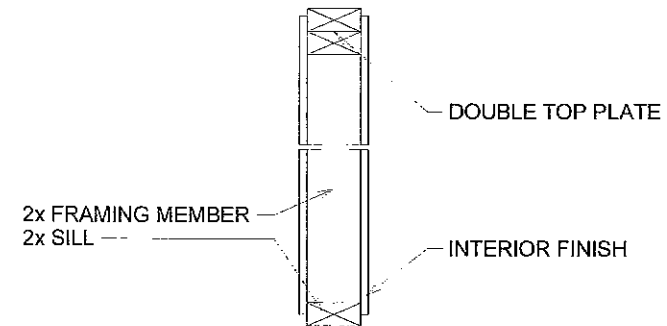


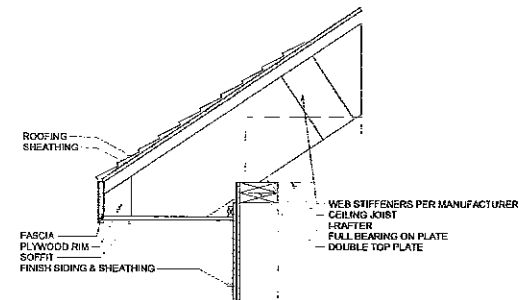
WEARING SURFACES:
 Above Grade = Finish Siding
 Below Grade = Moisture Sealant
 2x RIM JOIST



Framed Floor Detail



Interior Wall Detail



I-Rafter: Soffited Eave



PROJECT:

PETER & MICAH
 SCHMID RESIDENCE

DESCRIPTION:

2ND FLOOR PLAN

| | | | |
|---------|--------------|--------------|------------------|
| SCALE: | NOT TO SCALE | PAPER SIZE: | 17" X 11" |
| DATE: | 8/27/2008 | DESIGNED BY: | JAMESON ASBRIDGE |
| SHEET # | 4 OF 7 | | |