



FOURFRONT
DESIGN INC

517 7th street rapid city sd 57701
ph 605 342 9470 fax 605 342 2377
www.f4front.biz

ARCHITECTURE | ENGINEERING
GIS | SURVEYING

JOB NUMBER

RAPID CITY, SOUTH DAKOTA

DATE 01/18/09

DESTINATION
RAPID CITY

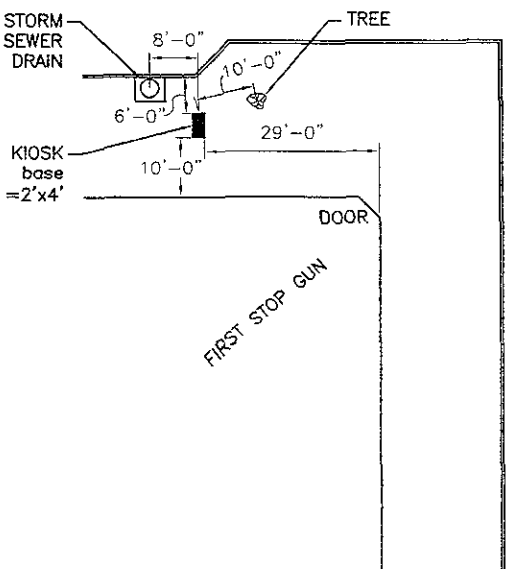
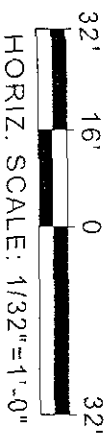
RAPID CITY

SHEET TITLE

SITE 05

SHEET

6



STREET



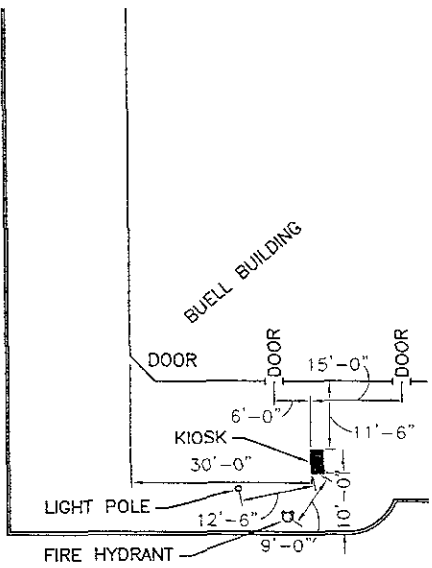
SEVENTH

MAIN

STREET



SEVENTH STREET and ST. JOSEPH STREET



STREET



SEVENTH

ST. JOSEPH

STREET



FOURFRONT
DESIGN INC

517 7th street rapid city sd 57701
ph 605 342 9470 fax 605 342 2377
www.fourfront.biz

ARCHITECTURE | ENGINEERING
GIS | SURVEYING

JOB NUMBER

RAPID CITY, SOUTH DAKOTA

DATE 01/19/09

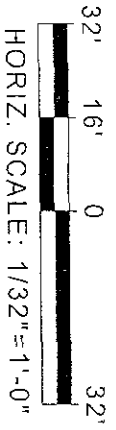
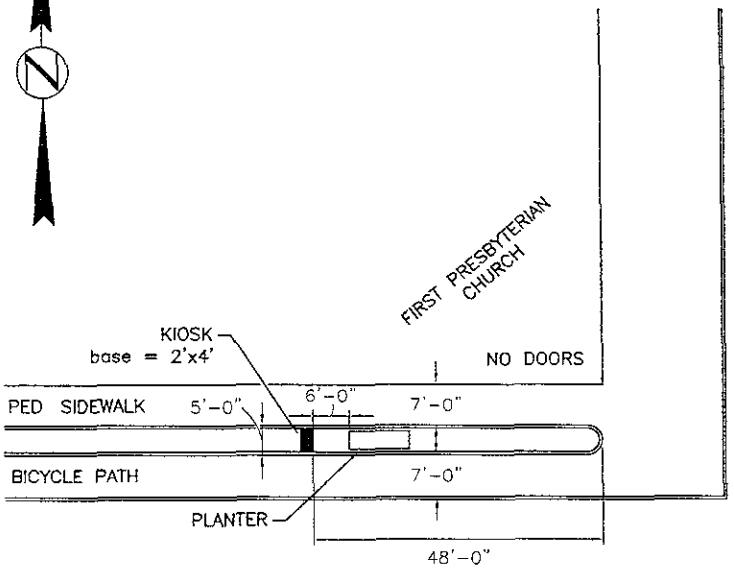
DESTINATION
RAPID CITY

SHEET TITLE
SITE 06

SHEET

7

NW CORNER of SEVENTH STREET
and KANSAS CITY STREET



STREET



STREET

KANSAS CITY

SEVENTH

DAHL CENTER



FRONT
DESIGN INC

517 7th Street Rapid City SD 57701
ph 605 342 9470 fax 605 342 2377
www.front.biz

ARCHITECTURE & ENGINEERING
GIS & SURVEYING

JOB NUMBER

DESTINATION
RAPID CITY

RAPID CITY, SOUTH DAKOTA

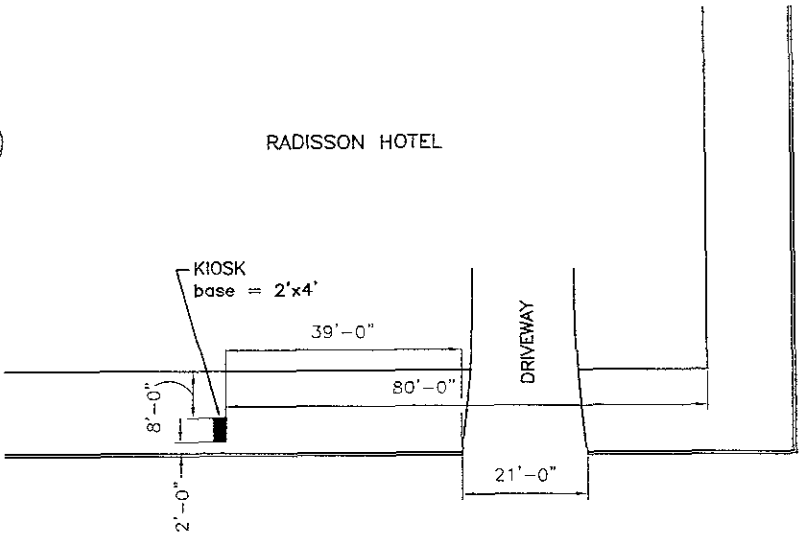
DATE 04/19/09

SHEET TITLE
SITE 07

SHEET

8

NW CORNER of MAIN STREET
and MT. RUSHMORE ROAD



ROAD

MT. RUSHMORE

517 7th street rapid city sd 57701
 ph 605.342.9470 fax 605.342.2377
 www.4front.biz

ARCHITECTURE | ENGINEERING,
 GIS | SURVEYING

JOB NUMBER

RAPID CITY, SOUTH DAKOTA

DATE: 01/18/08

DESTINATION
 RAPID CITY

SHEET TITLE:

SITE 02

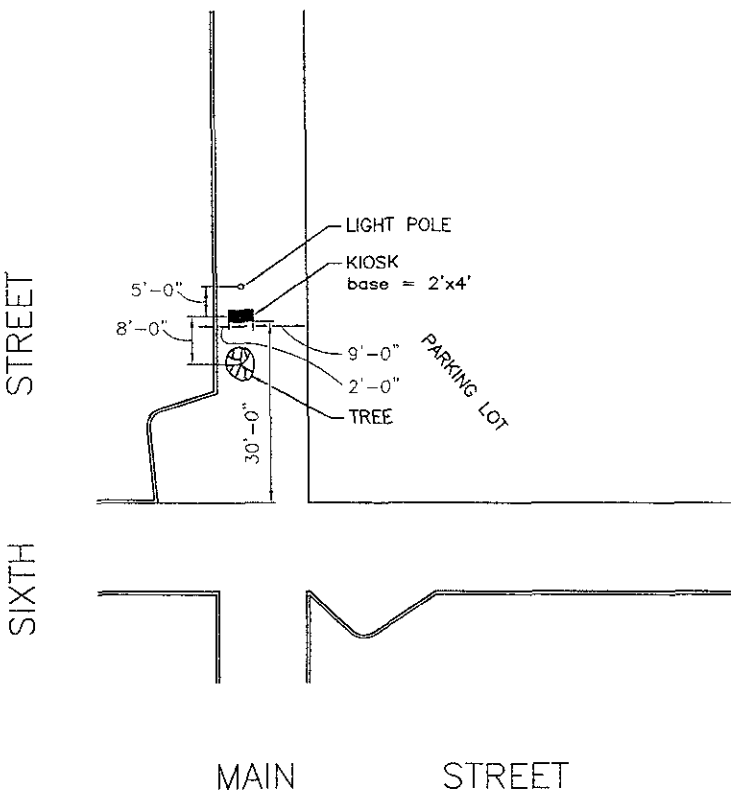
SHEET

3

FAIRFRONT
 DESIGN INC



NE CORNER of SIXTH STREET
and MAIN STREET



517 7th Street rapid city sd 57701
ph 605 342 9470 fax 605 342 2377
www.afron.biz

ARCHITECTURE | ENGINEERING
GIS | SURVEYING

FRONT
DESIGN INC

JOB NUMBER

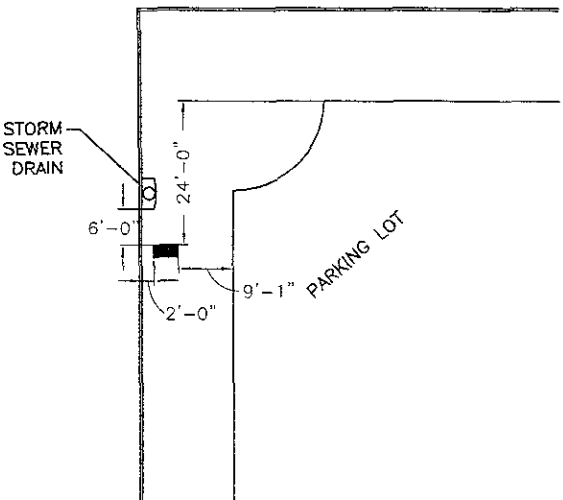
RAPID CITY, SOUTH DAKOTA

DATE 01/19/09

DESTINATION
RAPID CITY

SHEET TITLE
SITE 03

SHEET
4



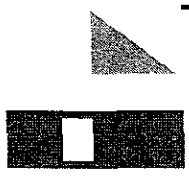
STREET



STREET

SIXTH

ST. JOSEPH



FRONT
DESIGN INC

517 7th street rapid city sd 57701
ph 605 342 9470 fax 605 342 2377
www.rapidcity.biz

ARCHITECTURE | ENGINEERING
GIS | SURVEYING

JOB NUMBER

DESTINATION
RAPID CITY

RAPID CITY, SOUTH DAKOTA

DATE 07/19/09

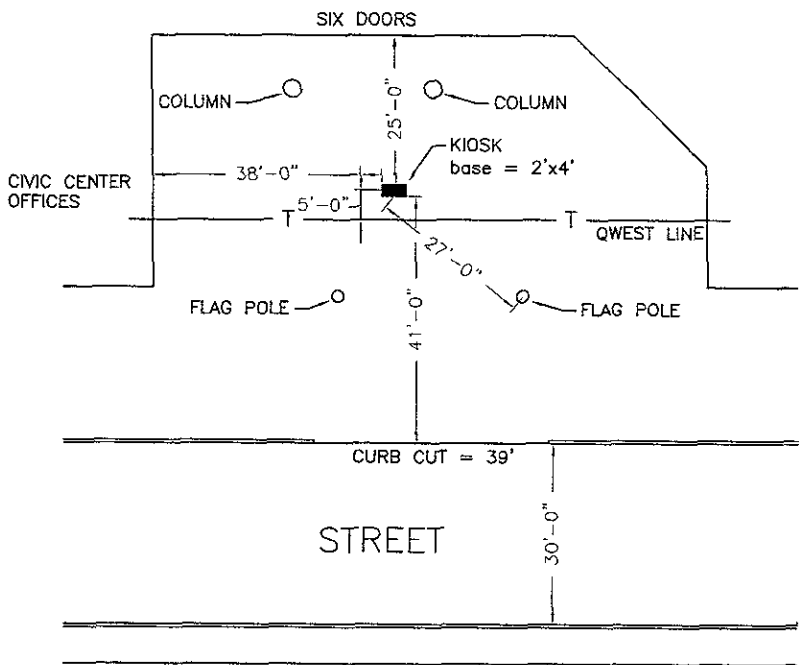
SHEET TITLE

SITE 04

SHEET

5

CIVIC CENTER WEST ENTRY-THEATRE



FOURFRONT
DESIGN INC

517 7th Street Rapid City SD 57701
ph 605 342 9470 fax 605 342 2377
www.fourfront.biz

ARCHITECTURE | ENGINEERING
GIS | SURVEYING

JOB NUMBER

DESTINATION
RAPID CITY

DATE 07/19/09

SHEET TITLE
SITE 01

SHEET

2