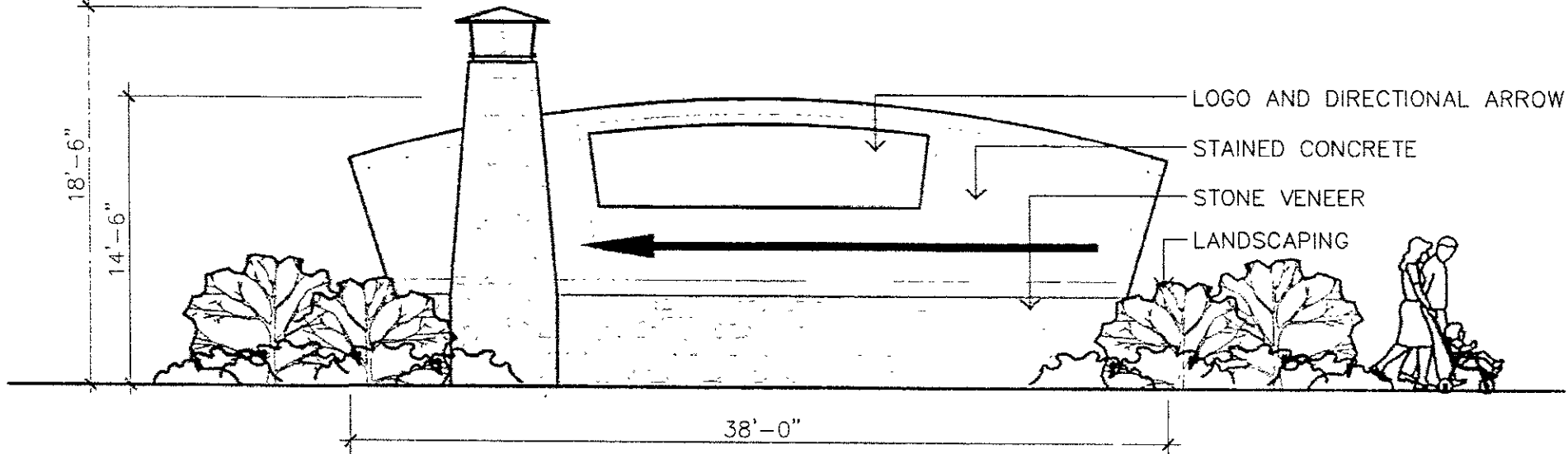


08PL015



BLACK HILLS SURGERY CENTER - SIGN "A"