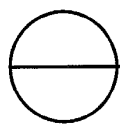
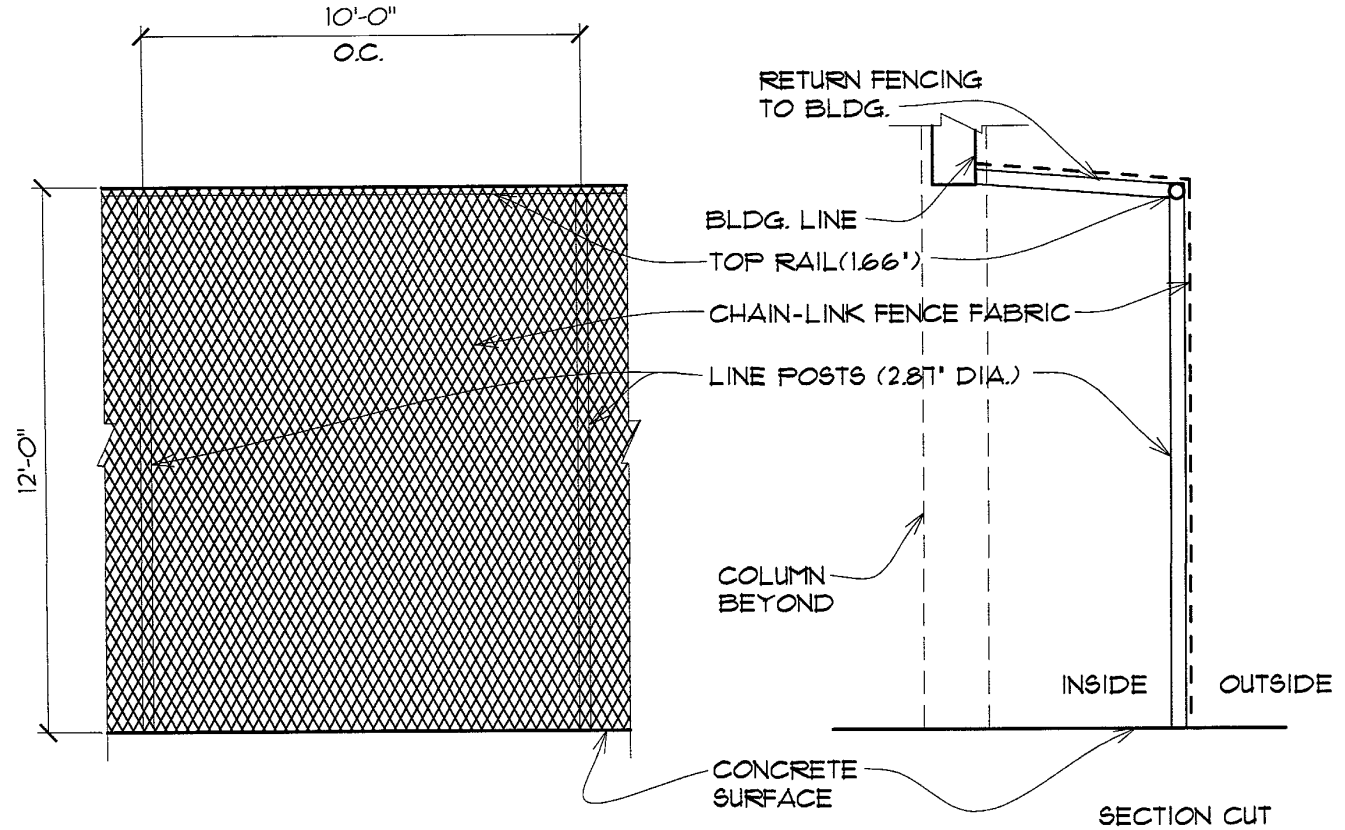


... 7023.95

REVISED SITE PLAN

GENERAL NOTE:

1. CORNER & END POSTS ARE
4" DIA.

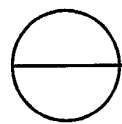
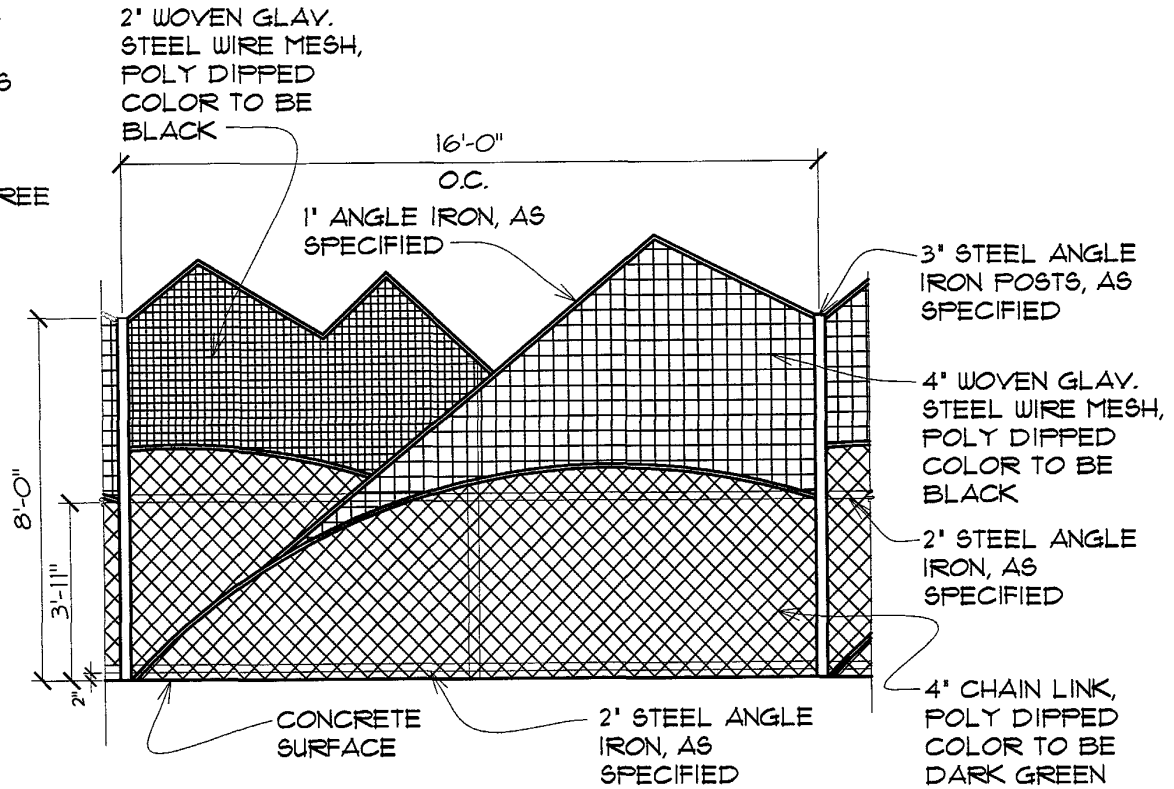


SECURITY FENCE, 10' PANEL

SCALE: 1/4"=1'-0"

GENERAL NOTE:

1. CONTRACTOR TO SUBMIT SHOP DRAWINGS FOR LANDSCAPE ARCHITECTS REVIEW.
2. ALL WELDS ARE TO BE GROUND SMOOTH AND FREE OF BURRS



SILHOUETTE FENCE, 16' PANEL

SCALE: 1/4"=1'-0"