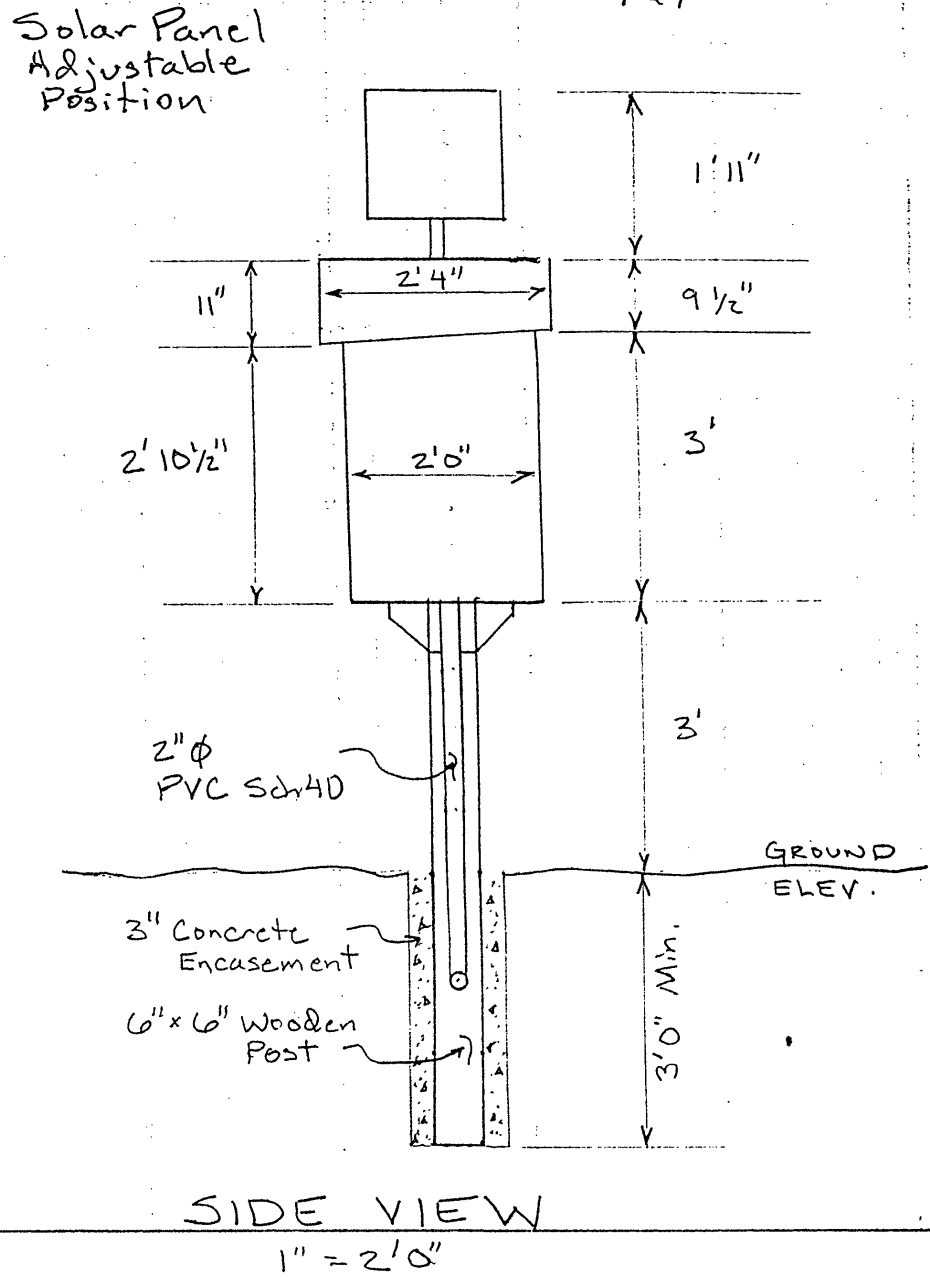
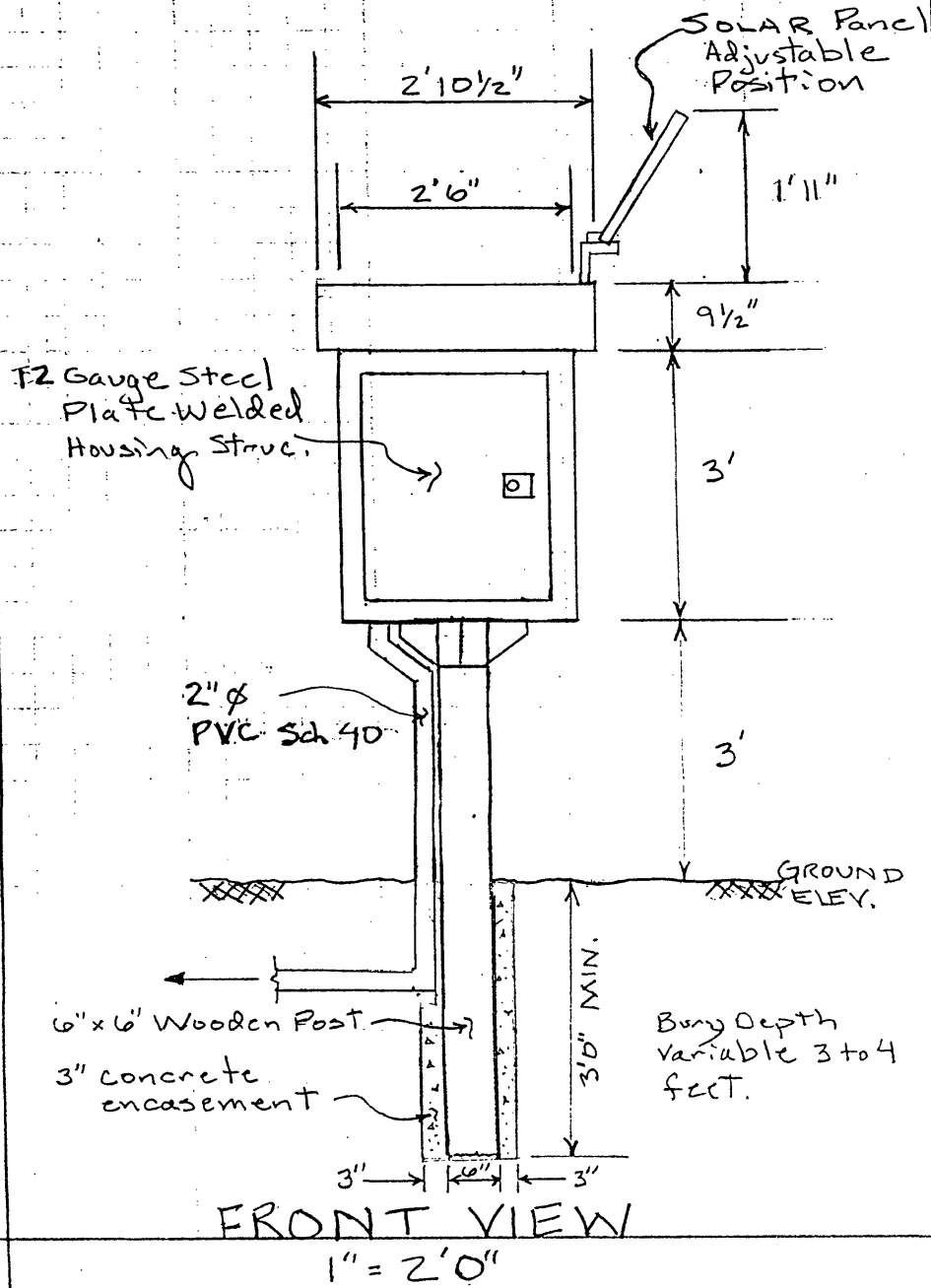


# MONITORING HOUSING STRUCTURE

Drawn By S. Kenner  
2/6/00



00UR035

